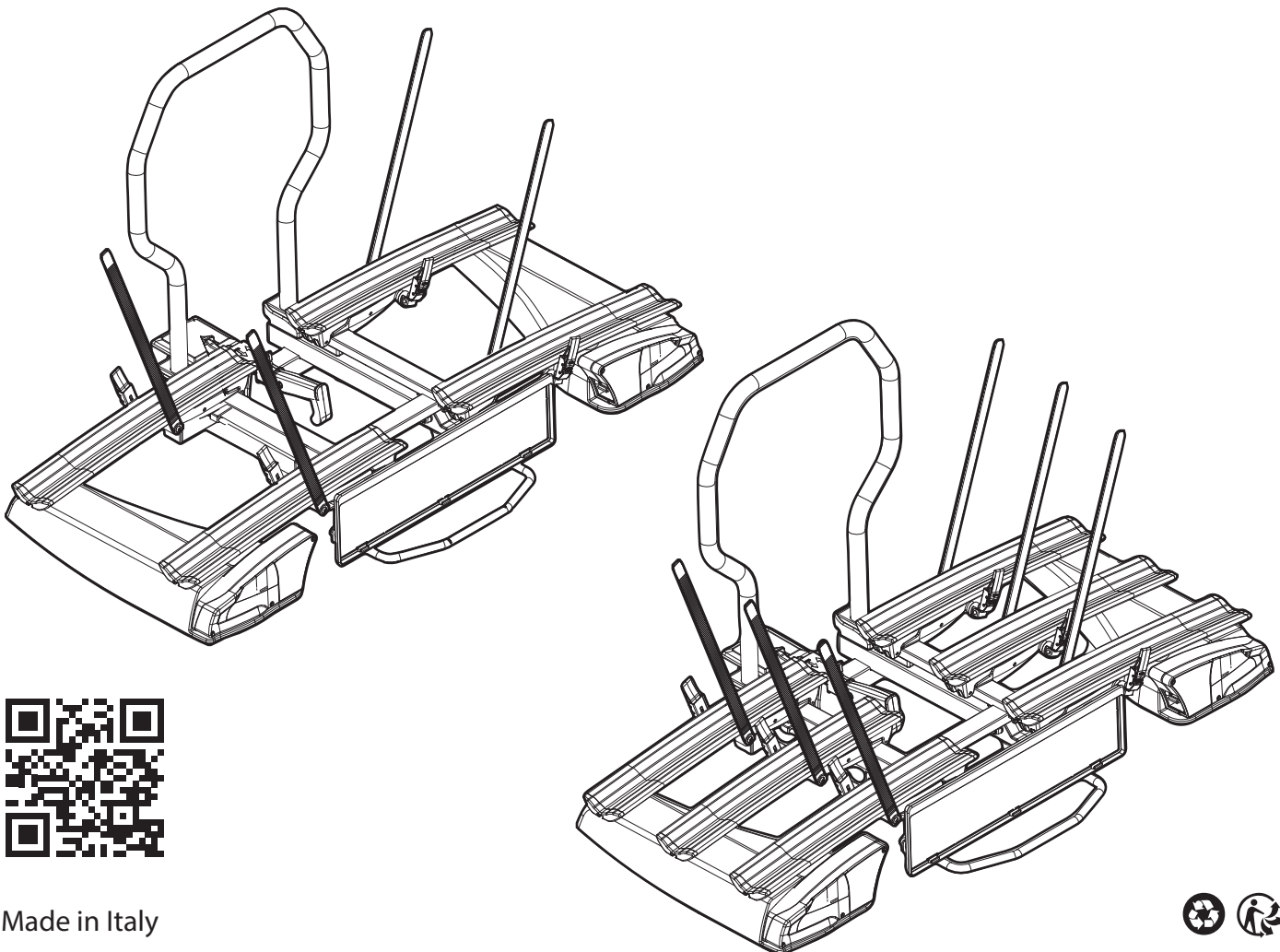


# MENABO

your freetime on the move

## ANTARES ANTARES PLUS

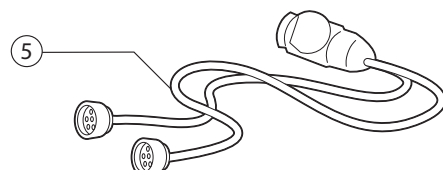
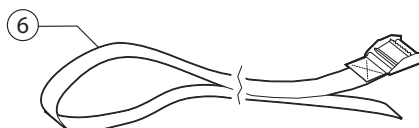
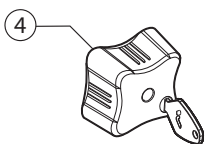
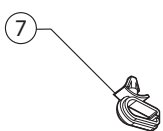
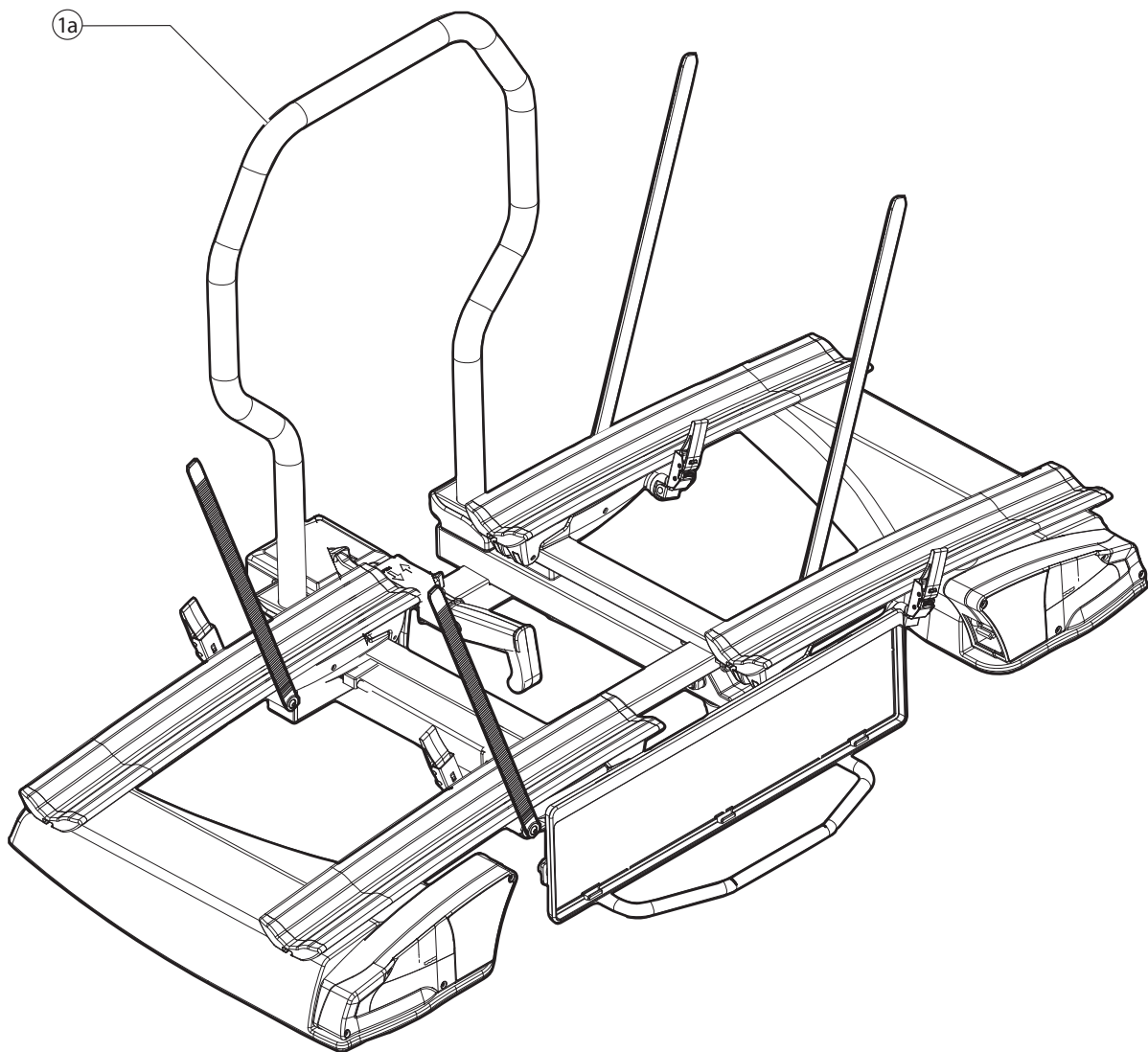
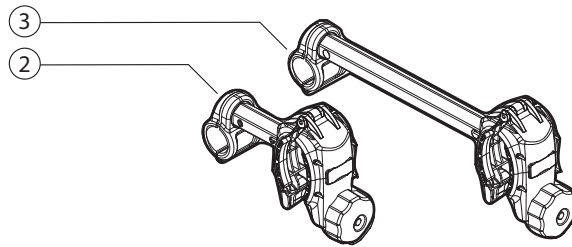
<b>IT</b>	Istruzioni di montaggio	<b>LV</b>	Pritvirtinimo instrukcijas
<b>EN</b>	Fitting instructions	<b>NL</b>	Instrukcja montażu
<b>DE</b>	Montageanleitung	<b>NO</b>	Monteringsveiledning
<b>FR</b>	Instructions de montage	<b>PL</b>	Instrukcja montażu
<b>ES</b>	Instrucciones de montaje	<b>PT</b>	Instruções de Montagem
<b>CS</b>	Návod na montáž	<b>RO</b>	Instrucțiuni de montare
<b>DA</b>	Monteringsvejledning	<b>RU</b>	Инструкции по установке
<b>EL</b>	Οδηγίες συναρμολόγησης	<b>SK</b>	Návod na montáž
<b>ET</b>	Paigaldusjuhend	<b>SL</b>	Navodila za pritrjevanje
<b>FI</b>	Asennusohje	<b>SV</b>	Monteringsanvisning
<b>HR</b>	Uputa za sastavljanje	<b>TK</b>	Uydurma talimat
<b>HU</b>	A felszerelés módja	<b>ZH</b>	裝修指導
<b>LT</b>	Stiprināšanas instrukcija	<b>AR</b>	تعليمات التجميل





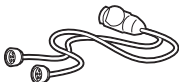





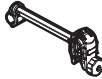

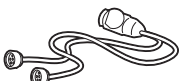




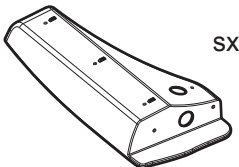
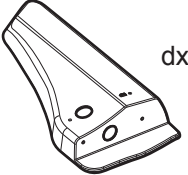




Made in Italy



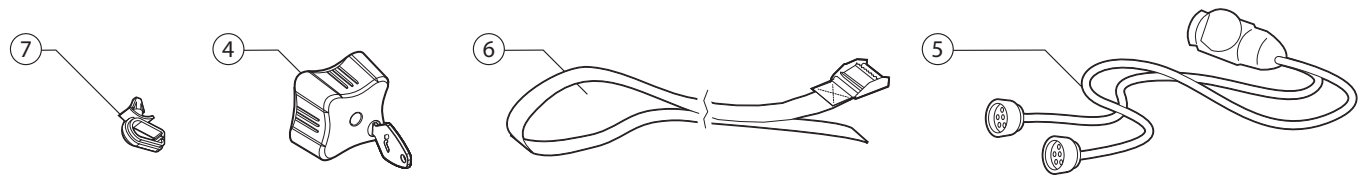
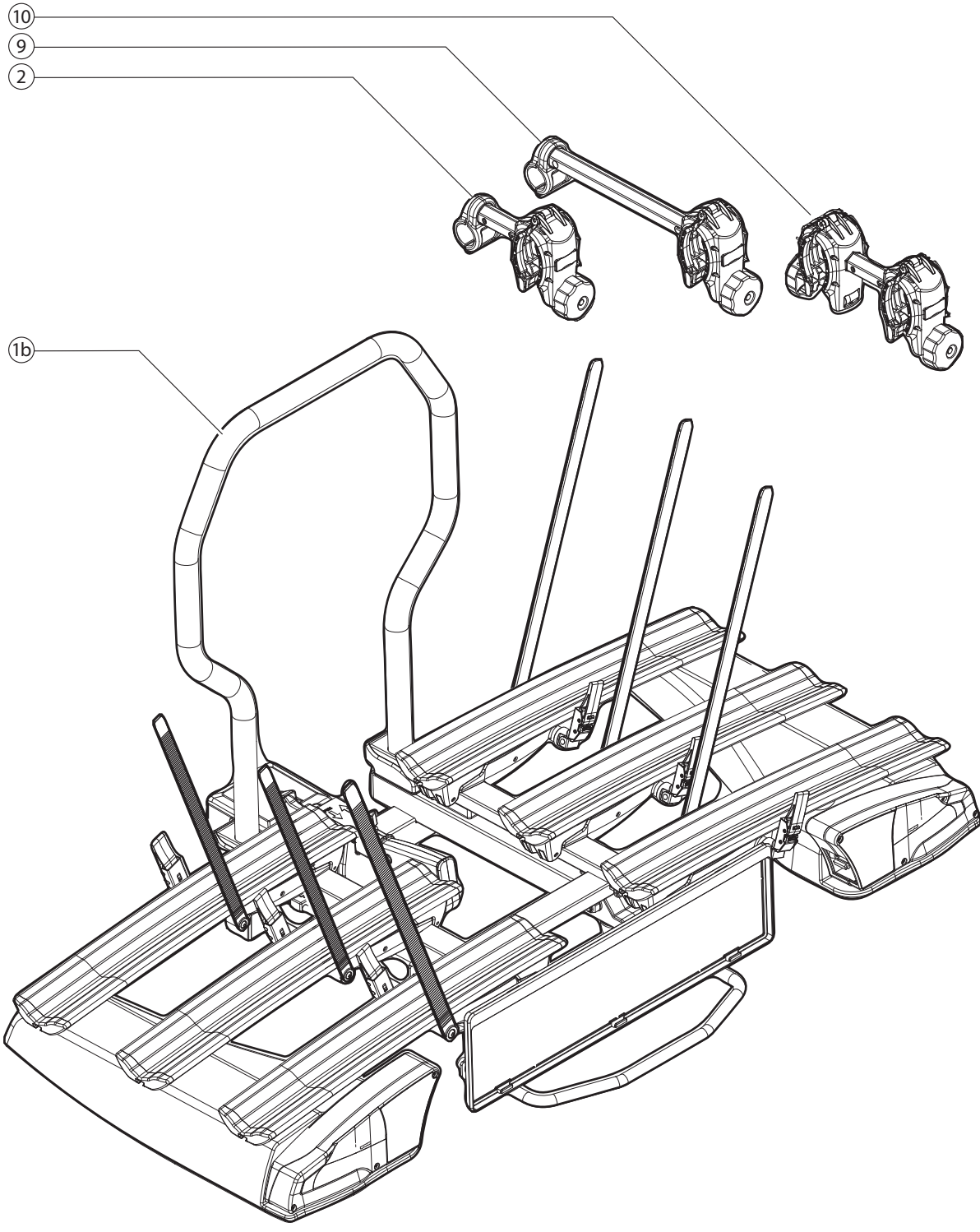
# ANTARES






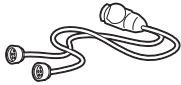








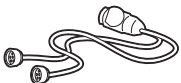




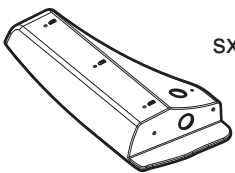
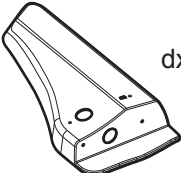




N.	[IT]Componenti (Inclusi) [GB]Components (Included) [FR]Composants (Comprises)	[DE]Die Komponenten (im Lieferumfang enthalten) [ES]Componentes (Incluido) [RU]Компоненты (в комплекте)	Q.
1a			1
2			1
3			1
4			2
5			1
6			1
7			10

N.	[IT]Ricambi (A Richiesta) [GB]Spare Parts (Made to order) [FR]Pièces de rechange (Sur commande)	[DE]E Teile (auf Anfrage) [ES]Piezas de recambio (Previa solicitud) [RU]Запасные части (по запросу)	Codice-Code-Código-Kod	Q.
2			700003200000	1
3			700017800000	1
4			000026400000	1
5			700033600000	1
6			700001100000	1
7			700024000000	2
11			700033700000	1
12			700033800000	1
13			700034000000	1
14			700033900000	1
15			700034100000	2
16			700031500000	1
17			700031300000	1
18			700031400000	1

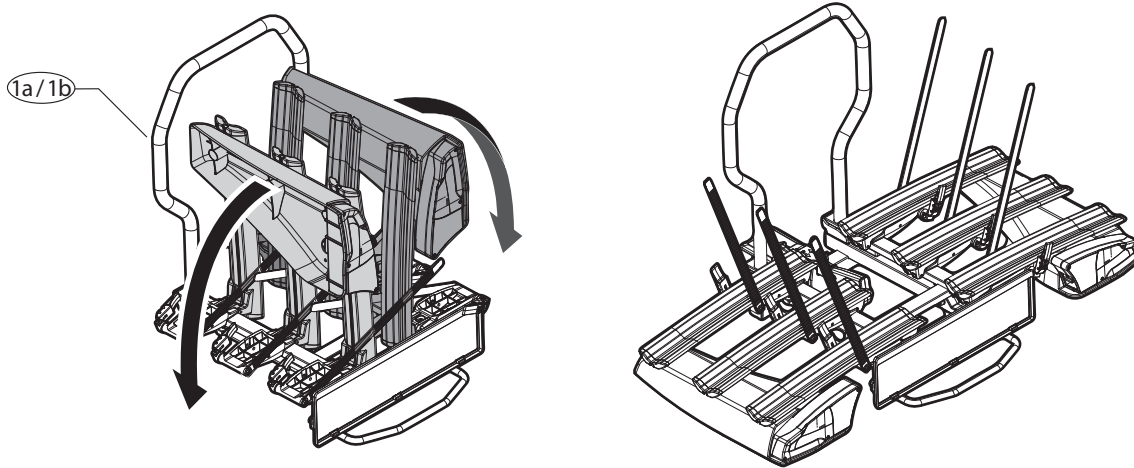
# ANTARES PLUS





N.	[IT]Componenti (Inclusi) [GB]Components (Included) [FR]Composants (Comprises)	[DE]Die Komponenten (im Lieferumfang enthalten) [ES]Componentes (Incluido) [RU]Компоненты (в комплекте)	Q.
1b			1
2			1
9			1
10			1
4			4
5			1
6			1
7			10

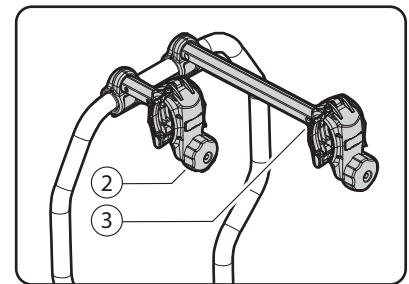
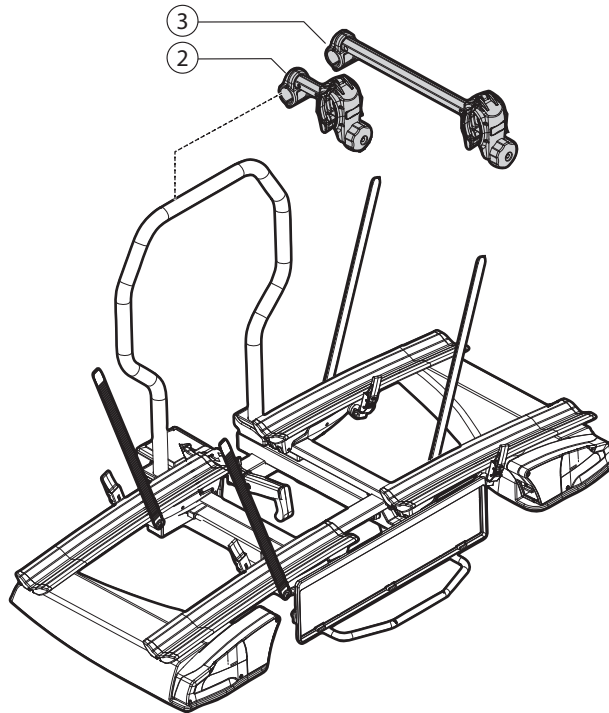
N.	[IT]Ricambi (A Richiesta) [GB]Spare Parts (Made to order) [FR]Pièces de rechange (Sur commande)	[DE]E Teile (auf Anfrage) [ES]Piezas de recambio (Previa solicitud) [RU]Запасные части (по запросу)	Codice-Code-Código-Код	Q.
2			700003200000	1
9			700003100000	1
10			700006900000	1
4			000026400000	1
5			700033600000	1
6			700001100000	1
7			700024000000	2
11			700033700000	1
12			700033800000	1
13			700034000000	1
14			700033900000	1
15			700034100000	2
16			700031500000	1
17			700031300000	1
18			700031400000	1

## ANTARES / ANTARES PLUS


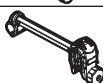


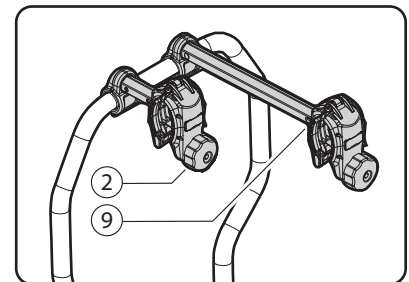
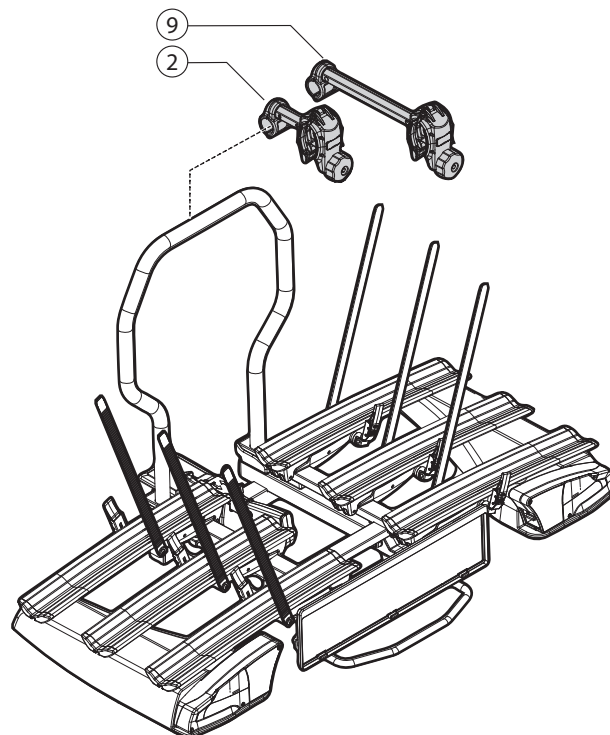
### ANTARES

N.		Q.
2		1
3		1





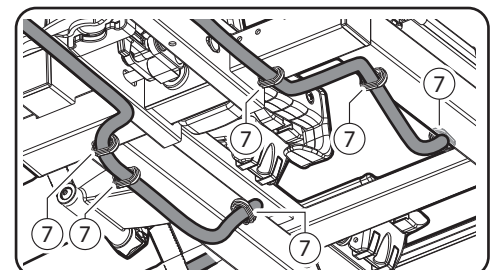
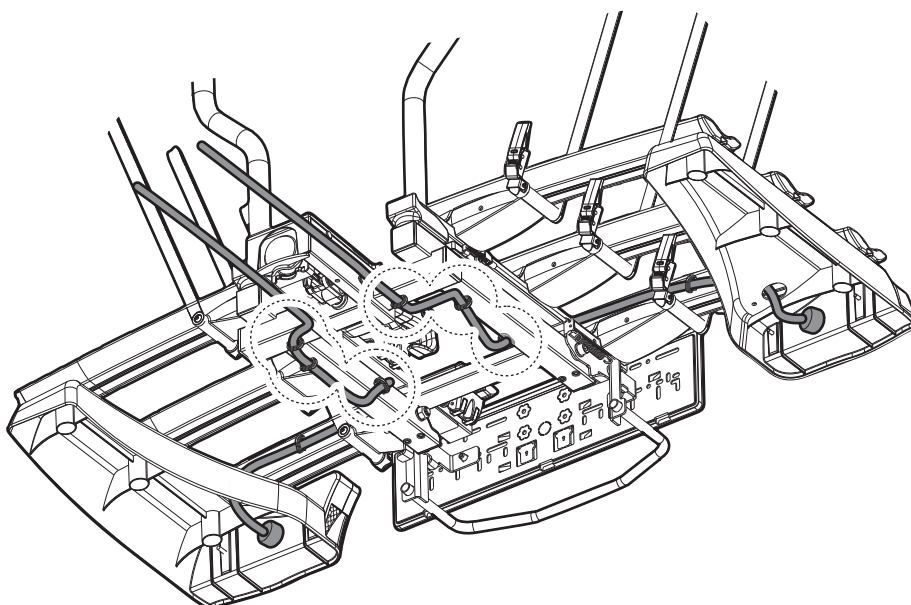
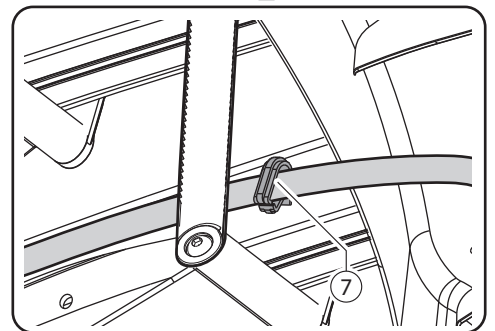
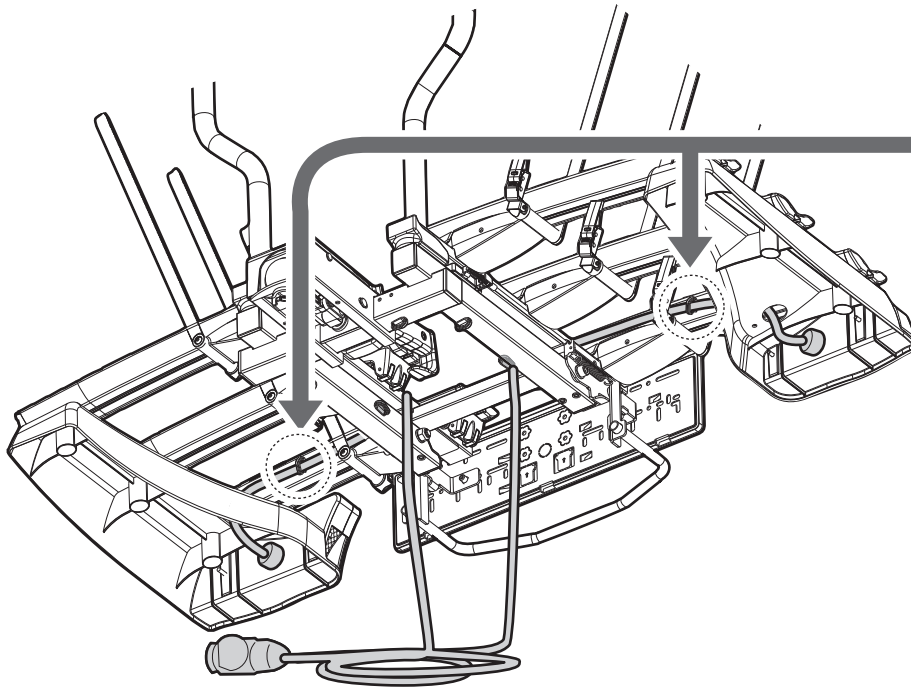
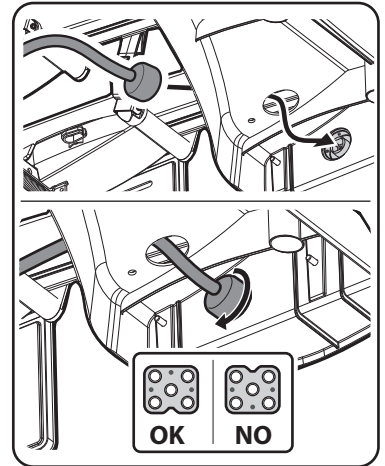
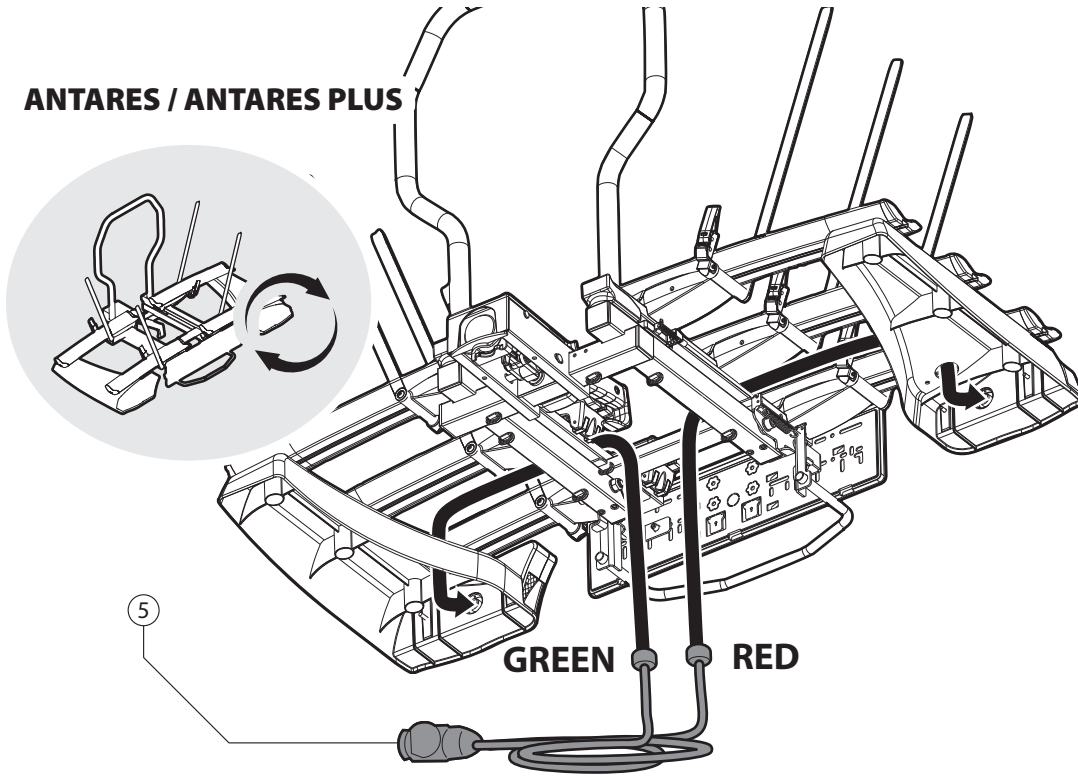
### ANTARES PLUS

N.		Q.
2		1
9		1

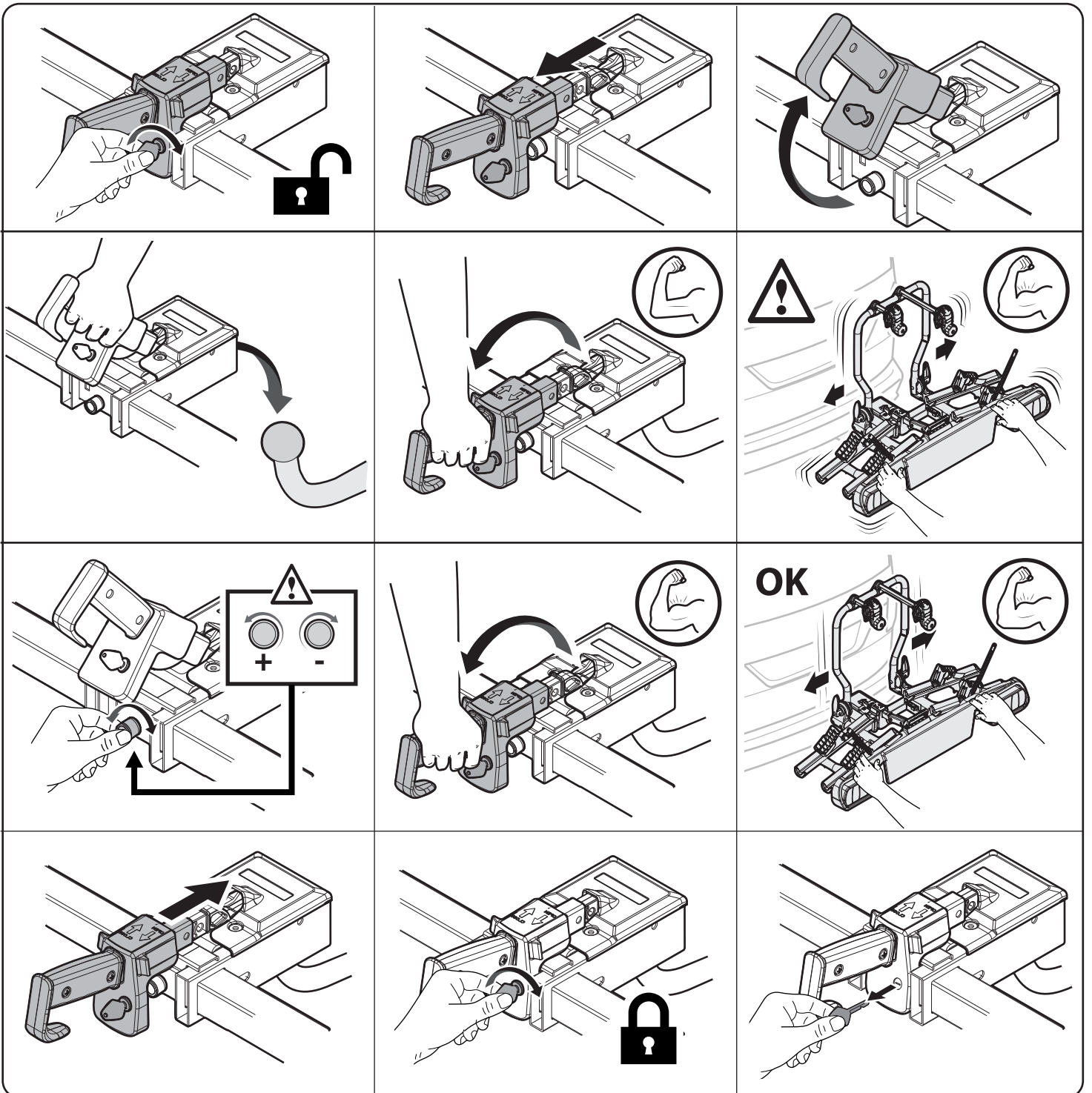
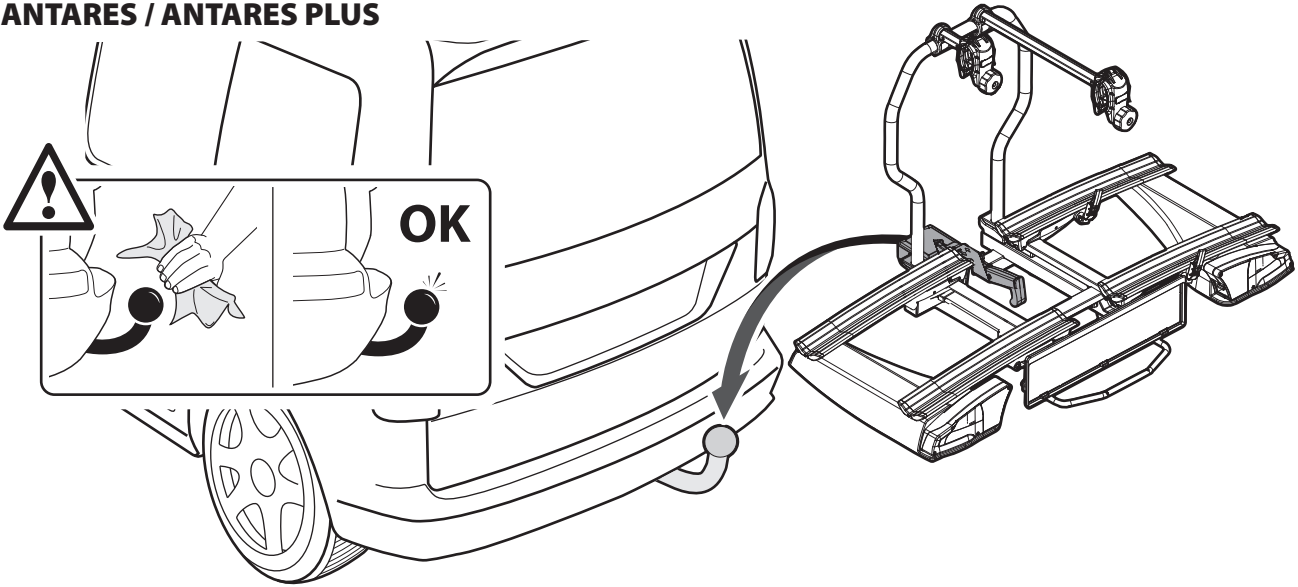


**ANTARES / ANTARES PLUS**

N.		Q.
5		1
7		10

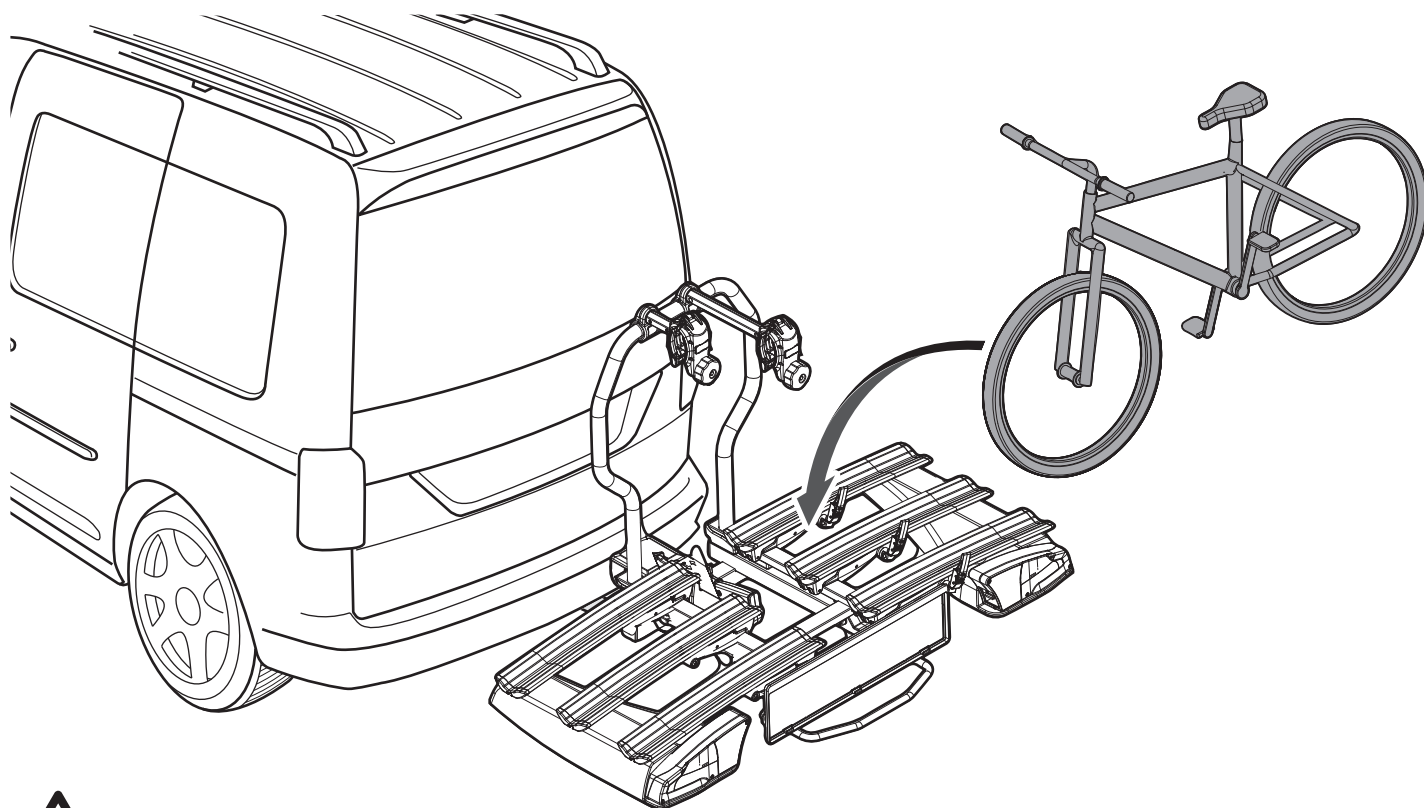


**ANTARES / ANTARES PLUS**





# ANTARES / ANTARES PLUS



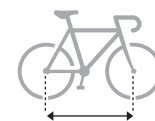
● **MIN** Ø30 mm / 1,2"  
**MAX** Ø50 mm / 2"  
 ● **MIN** 30x60 mm / 1,2"x2,4"  
**MAX** 50x70 mm / 2"x2,7"



**MIN** 22"  
**MAX** 29"



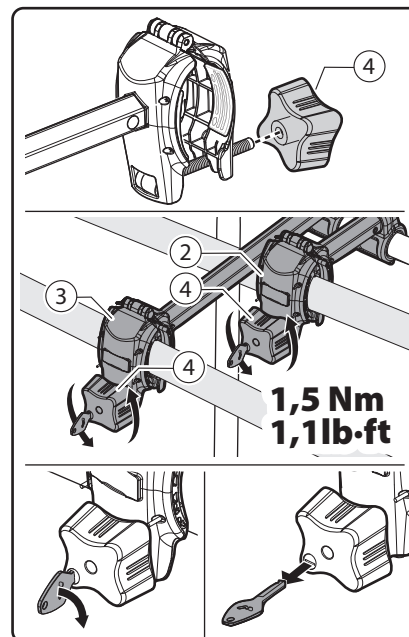
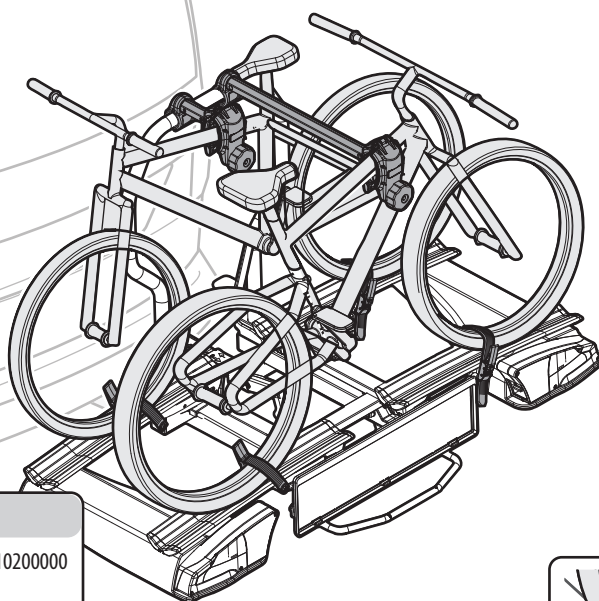
**MAX** 110mm / 4,3"



**MAX** 114cm / 45"

## ANTARES

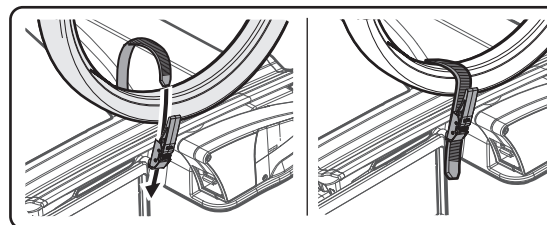
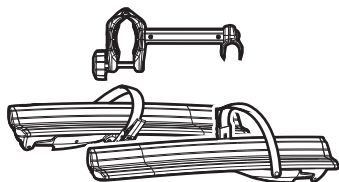
N.		Q.
4		2





### OPTIONAL

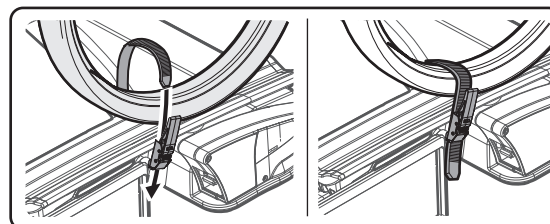
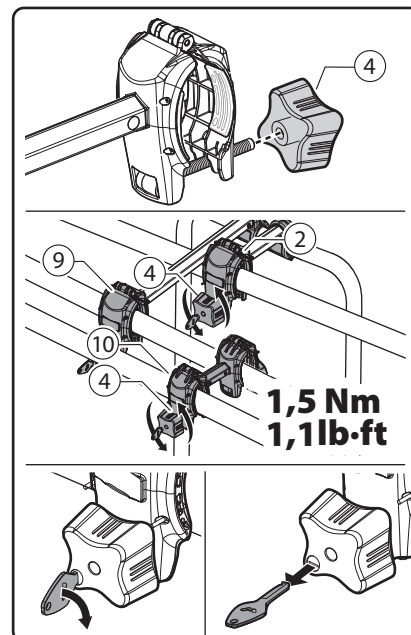
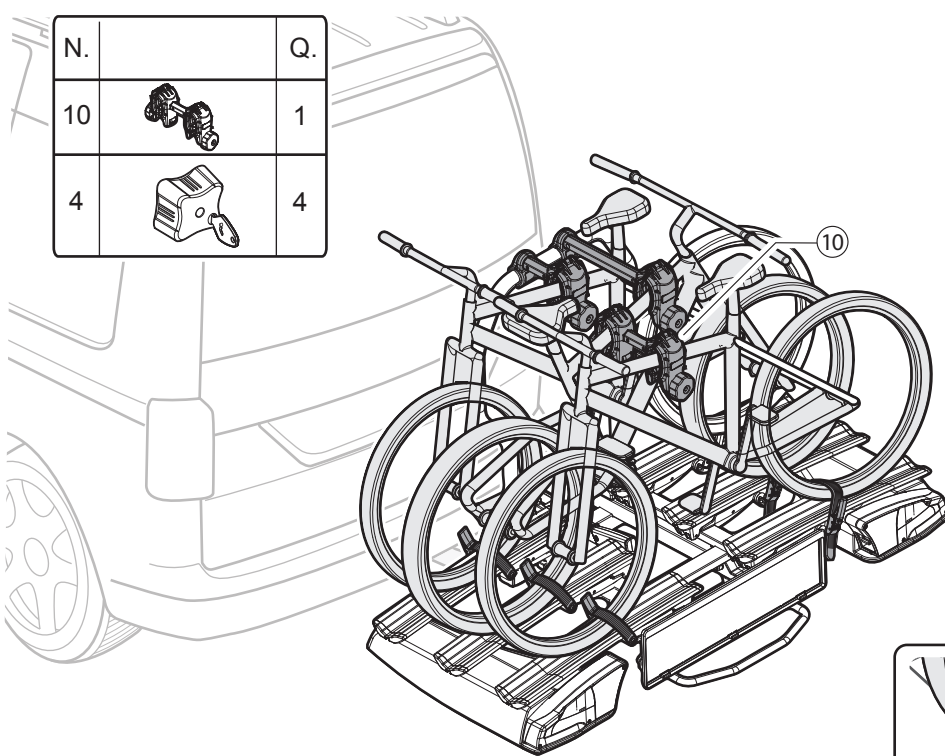
KIT+1

Art.000110200000

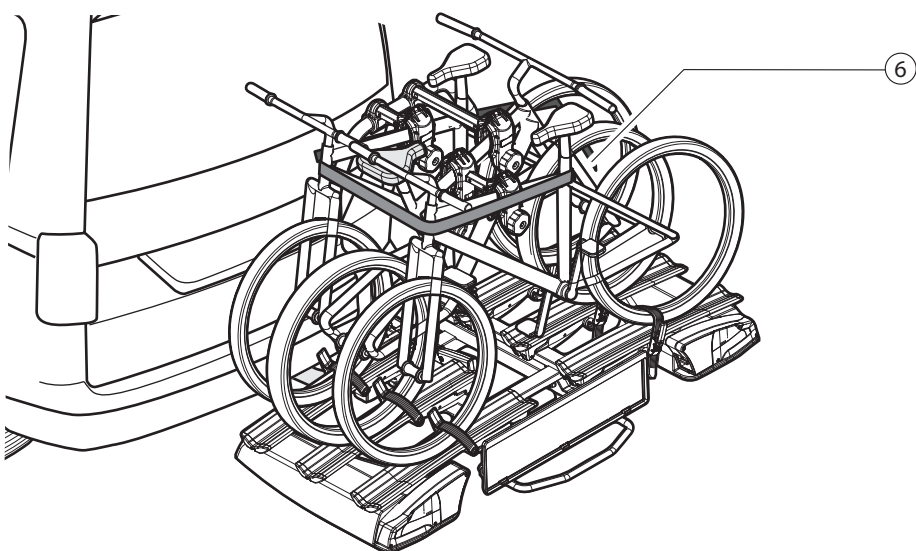


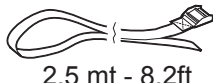
### ANTARES PLUS

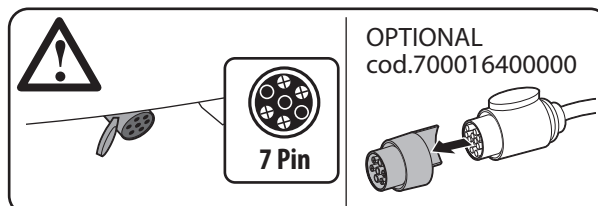
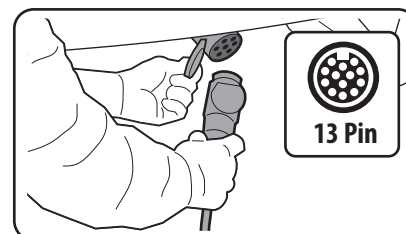
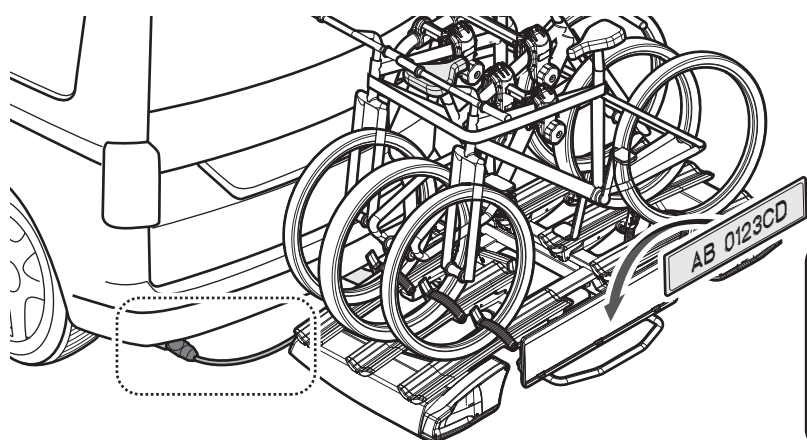
N.		Q.
10		1
4		4

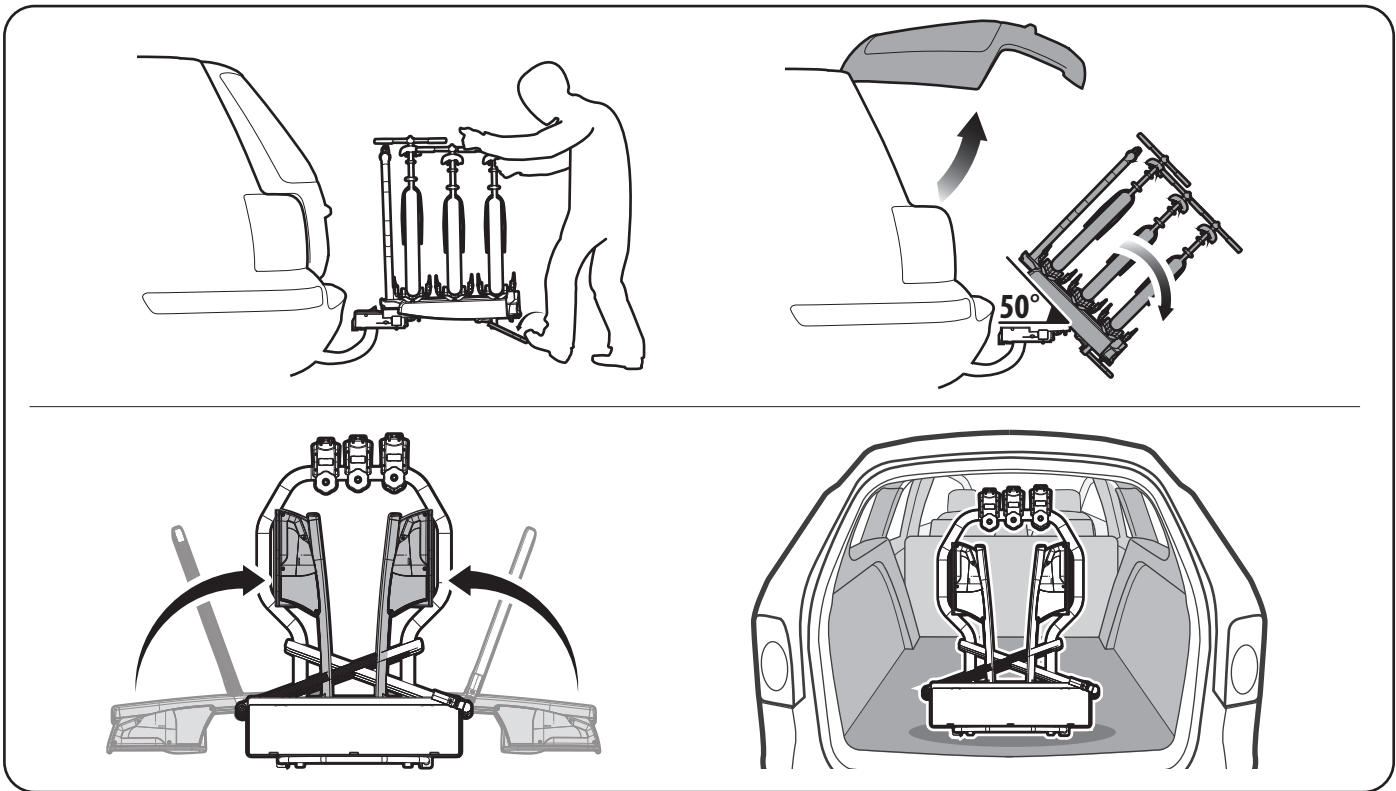


### ANTARES / ANTARES PLUS



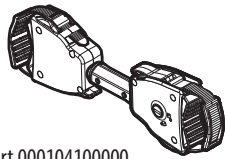
N.		Q.
6	 2,5 mt - 8,2ft	1





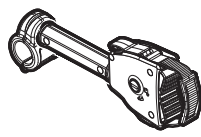
**OPTIONAL**

**BRACCETTO DOPPIO**



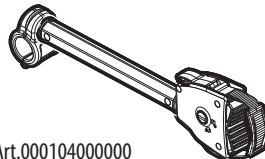
Art.000104100000

**BRACCETTO CORTO**



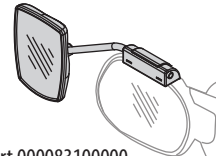
Art.000103900000

**BRACCETTO LUNGO**



Art.000104000000

**EVIDENCE**



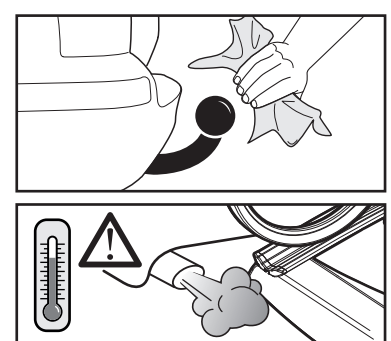
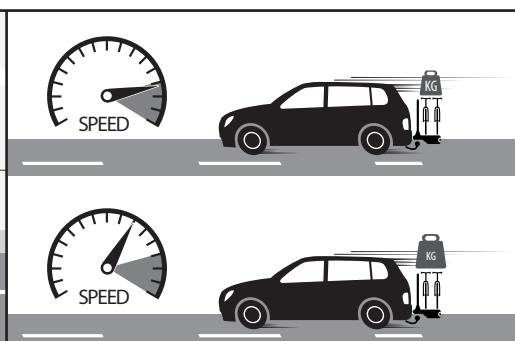
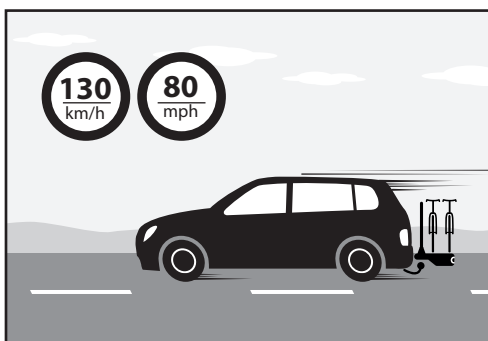
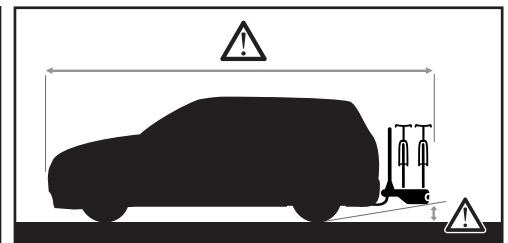
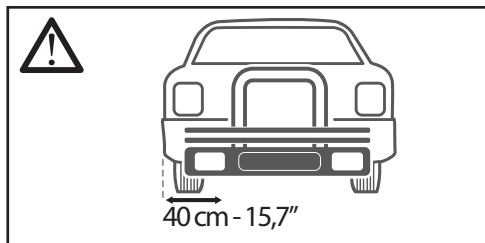
Art.000083100000

**RAMPA**



Art.000082100000

 <b>MAX</b> 94/20/CE STANDARD	 <b>Antares</b>	x2  <b>MAX 30kg - 66,1lb</b>	 <b>Antares plus</b>	Standard	x3	E-bike	x2	 Car Manual
				 <b>MAX 20kg - 44,1lb</b>	OR  <b>MAX 30kg - 66,1lb</b>			
50 kg - 110,2lb	19 kg - 42lbs	31 kg - 68,3lb	21 kg - 46,3lb	29 kg - 64lb				
60 kg - 132,3lb		41 kg - 90,4lb		39 kg - 86lb				
70 kg - 154,3lb		51 kg - 112,4lb		49 kg - 108lb				
80 kg - 176,4lb		60 kg - 132,3lb		59 kg - 130,1lb				
>80 kg - 176,4lb		60 kg - 132,3lb		60 kg - 132,2lb				



**F.lli Menabò S.r.l.**  
Via 8 Marzo, 3  
42025 Cavriago (RE)  
Tel. +39-0522/942840  
Fax. +39-0522/942948  
e-mail: info@flli-menabo.it  
www.flli-menabo.it

Cod.Istr.	Data	Creato da	Approvato da
500027400000	19/12/2018	NP	EL