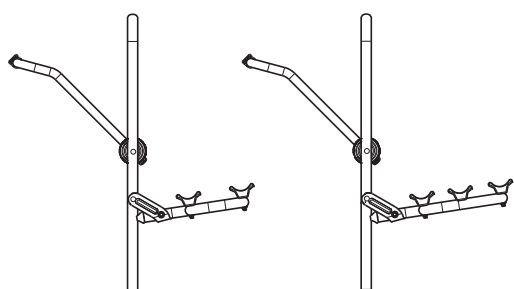


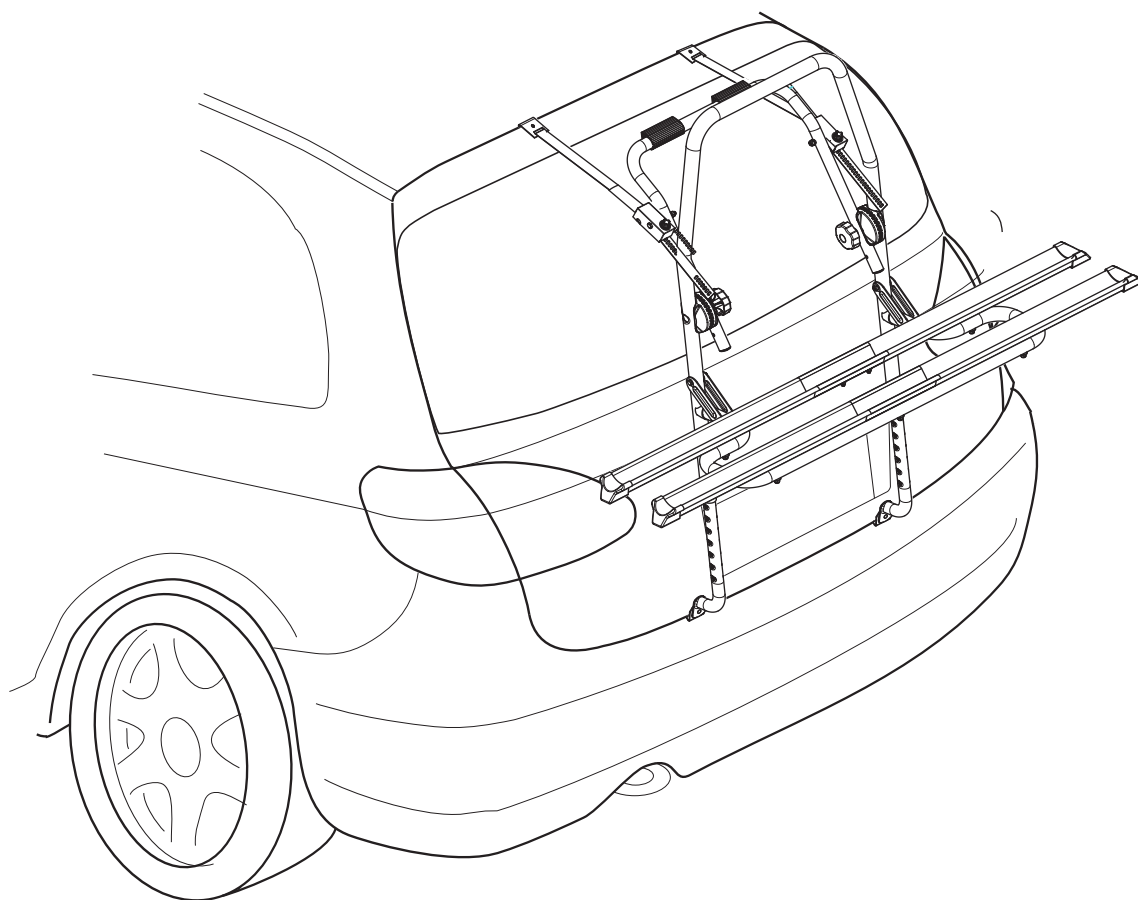


LOGIC



x2 

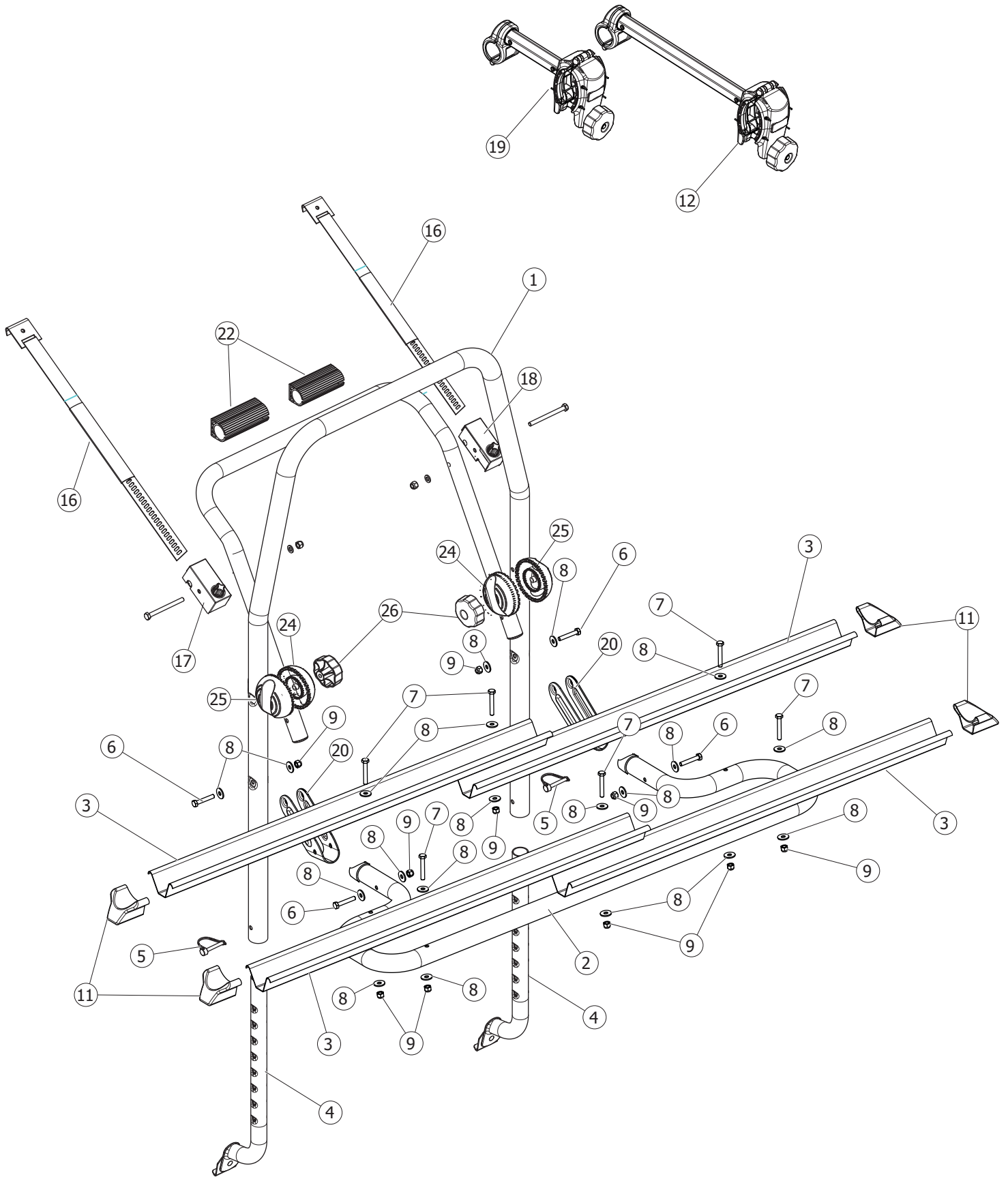
x3 

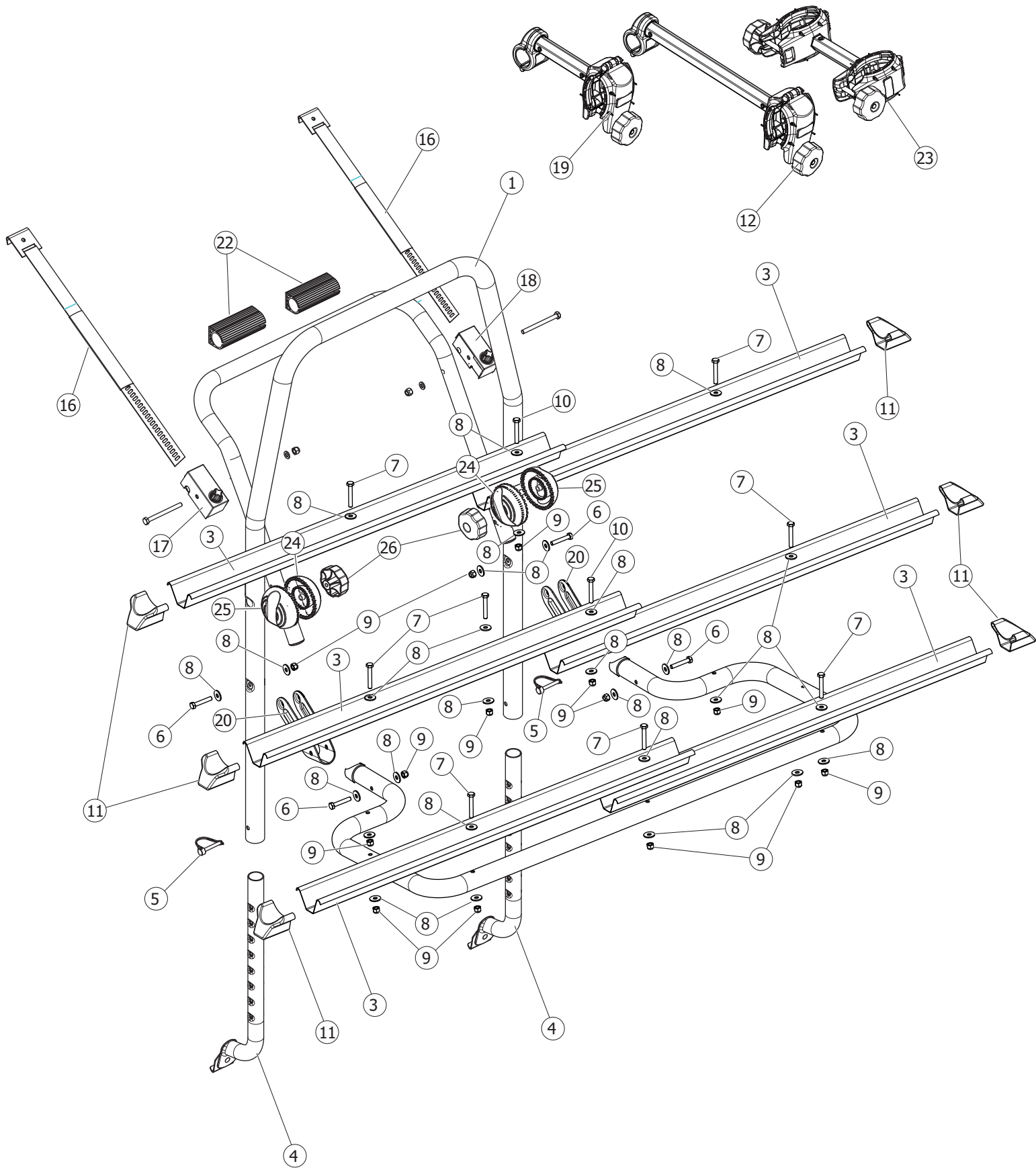


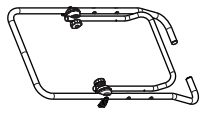
- I** Istruzioni per il montaggio
- GB** Fitting instructions
- D** Montageanleitung
- F** Instructions de montage
- E** Instrucciones de montaje
- NL** Montage-instructies
- PT** Instruções de Montagem
- S** Monteringsanvisning
- FIN** Asennusohje
- EST** Paigaldusjuhend
- LAT** Stiprināšanas instrukcija
- LIT** Pritvirtinimo instrukcijos
- PL** Instrukcja montażu
- RU** Инструкции по установке
- CZ** Návod na montáž
- SK** Návod na montáž
- SLO** Navodila za pritrjevanje
- HR** Uputa za sastavljanje
- HU** A felszerelés módja
- GR** Οδηγίες συναρμολόγησης
- DK** Monteringsvejledning

N.	I Componenti (Inclusi) GB Components (Included) F Composants (Comprises) DE Die Komponenten (im Lieferumfang enthalten) E Componentes (Incluido) RU Компоненты (в комплекте)	LOGIC	LOGIC
		x2	x3
		Q.	Q.
1		1	1
2	 	1	1
3		4	6
4		2	2
5		2	2
6		4	4
7		5	7
8		22	30
9		11	15
10		2	4
11		4	6
12		1	1
13		6	9
14		1	1
15		1	1
16		2	2
17		1	1
18		1	1
19		1	1
20		2	2
21		2	2
22		2	2
23		-	1

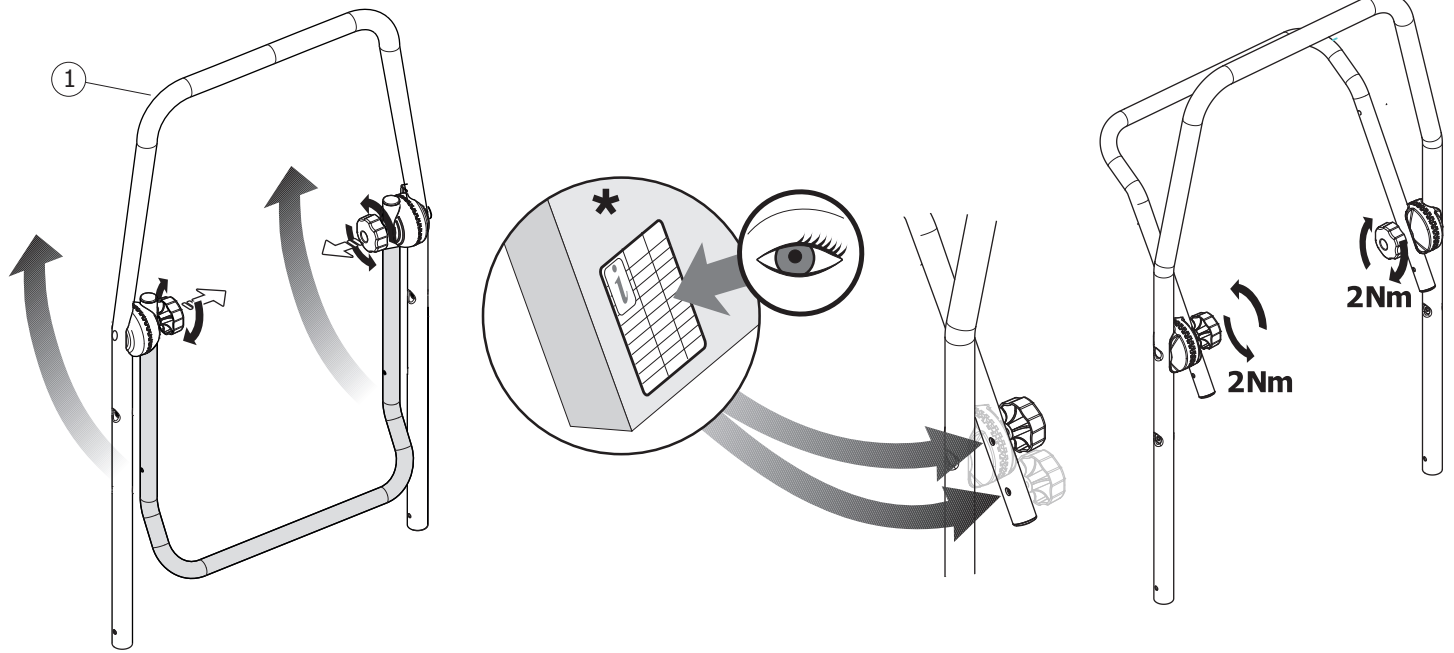
N.	I Ricambi (A Richiesta) GB Spare Parts (Made to order) F Pièces de rechange (Sur commande) DE Teile (auf Anfrage) E Piezas de recambio (Previa solicitud) RU Запасные части (по запросу)	Q.	Codice Code Code Code Código код
4		1	700005900000
5		2	700006000000
6		4	700006100000
7		7	
8		30	
9		3	
10		4	
11		2	
12		1	700003100000
13		3	700003600000
14		1	700006300000
15		1	700001100000
16		1	700006400000
17		1	700006500000
18		1	700006600000
19		1	700003200000
20		1	700006700000
21		1	700006800000
22		2	700002100000
23		1	700006900000
24		1	700002000000
25		1	700007000000
26		2	700001900000










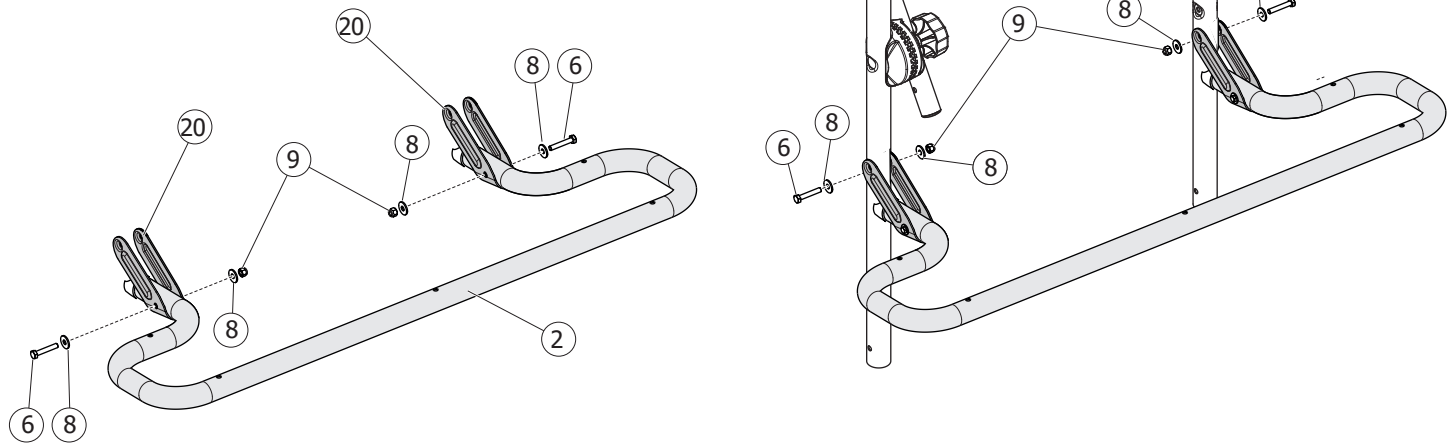
N.		Q.
1		1

x2  | x3 

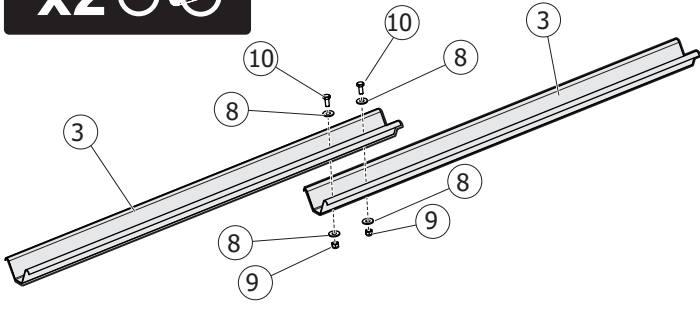







N.		Q.
2		1
6	 6x45	4
8		8
9		4
20		2

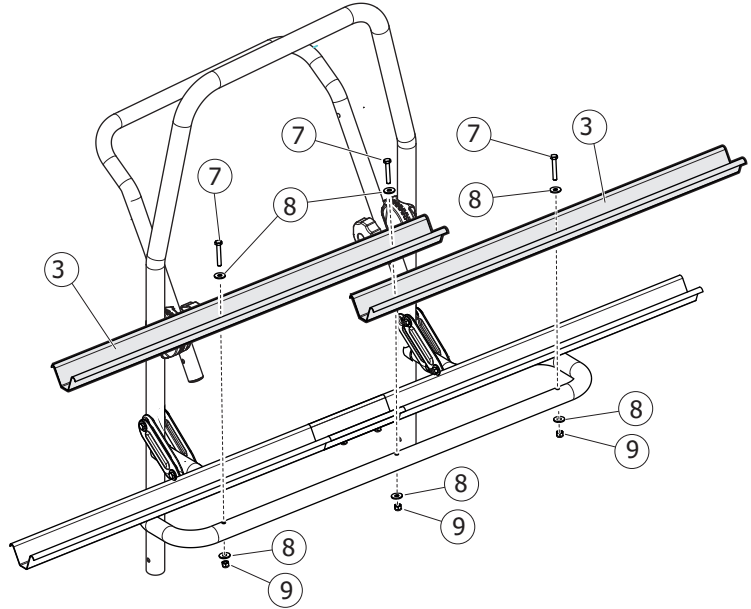
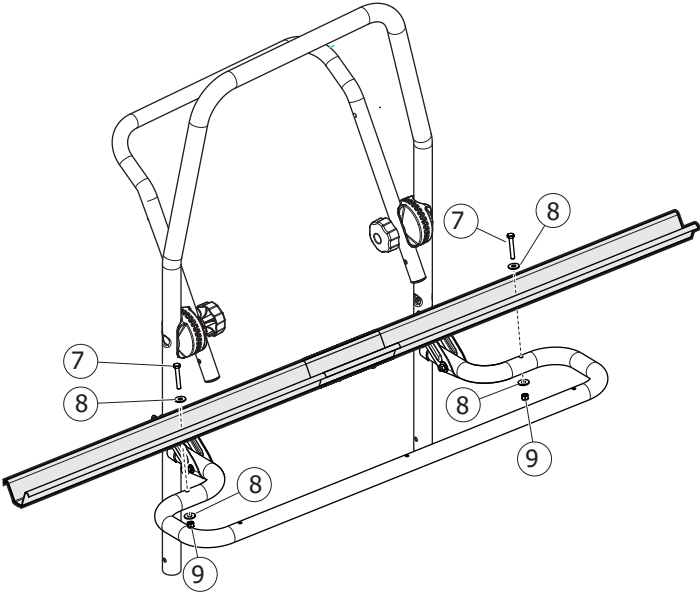
x2  | x3 



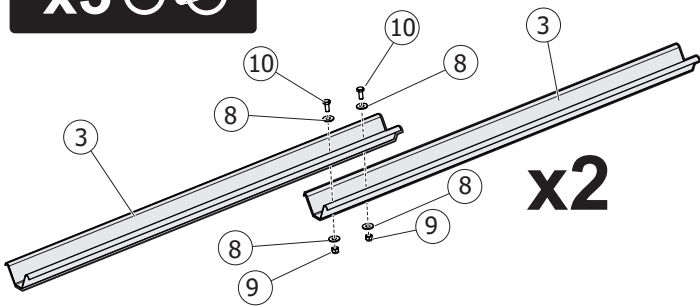
x2 








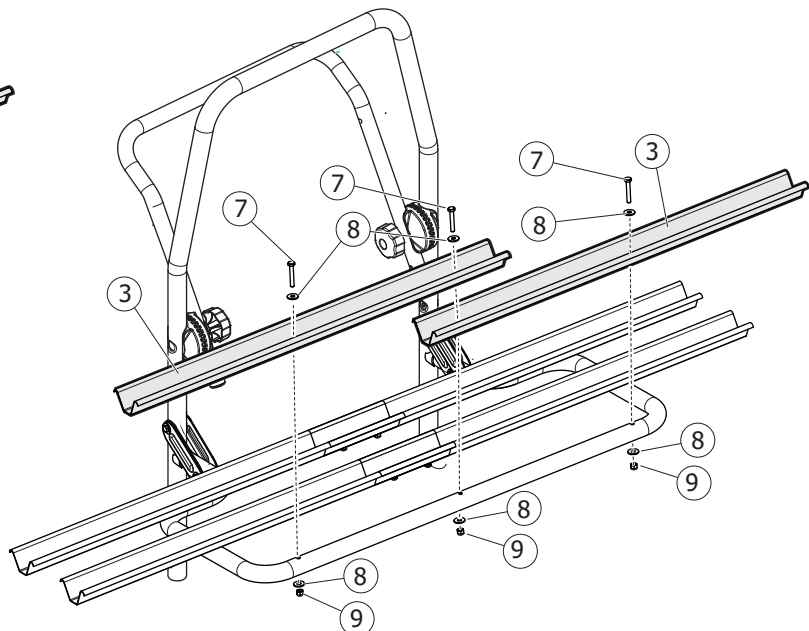
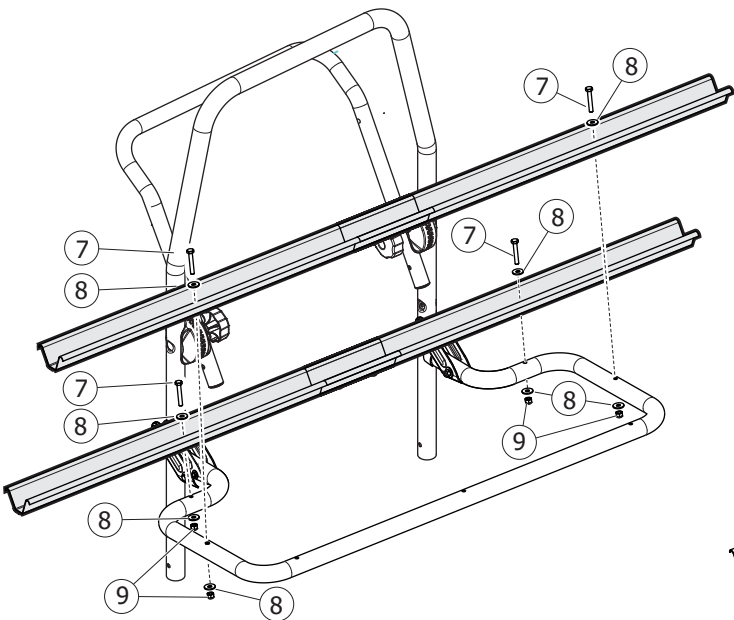
N.		Q.
10	 6x14	2
7	 6x40	5
8		14
9		7
3		4



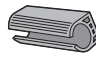


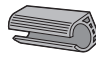



x3 

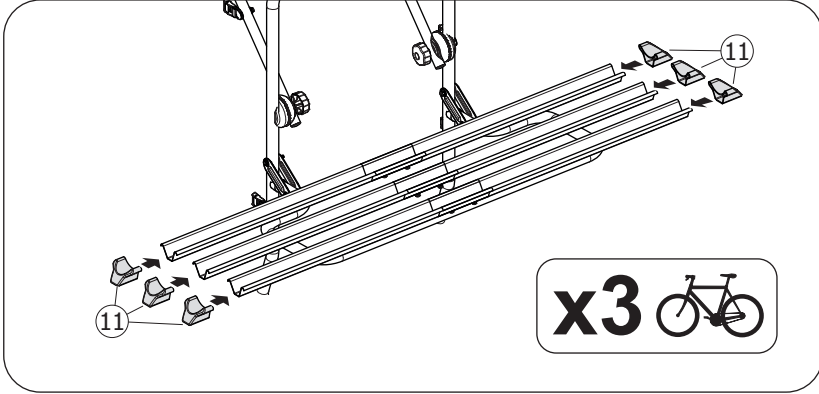
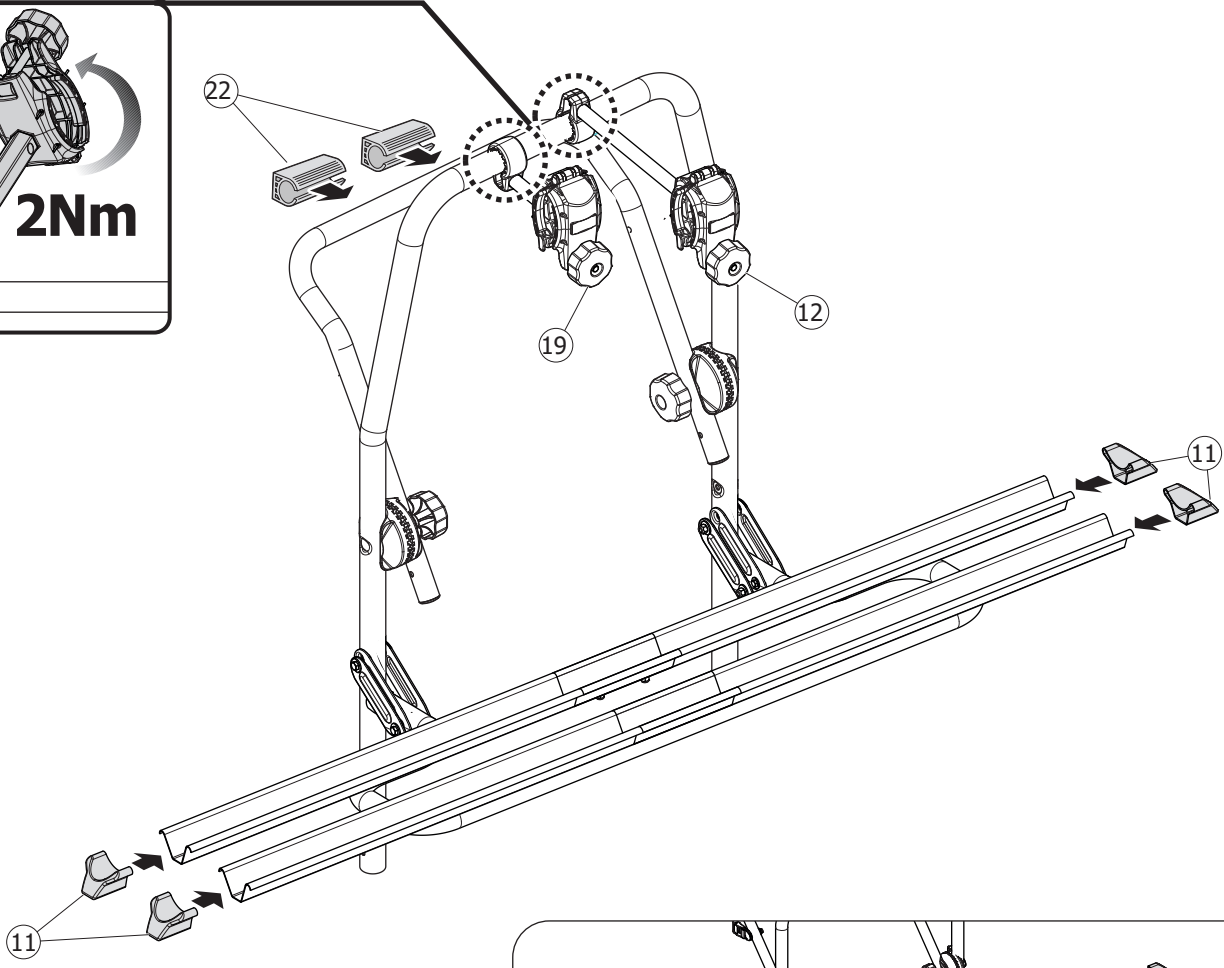
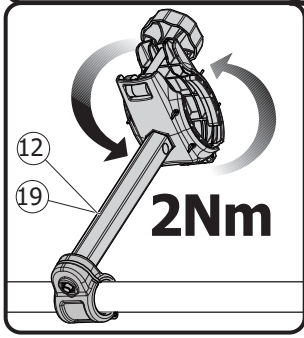
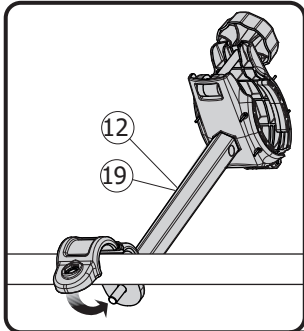


N.		Q.
10	 6x14	4
7	 6x40	7
8		22
9		11
3		6








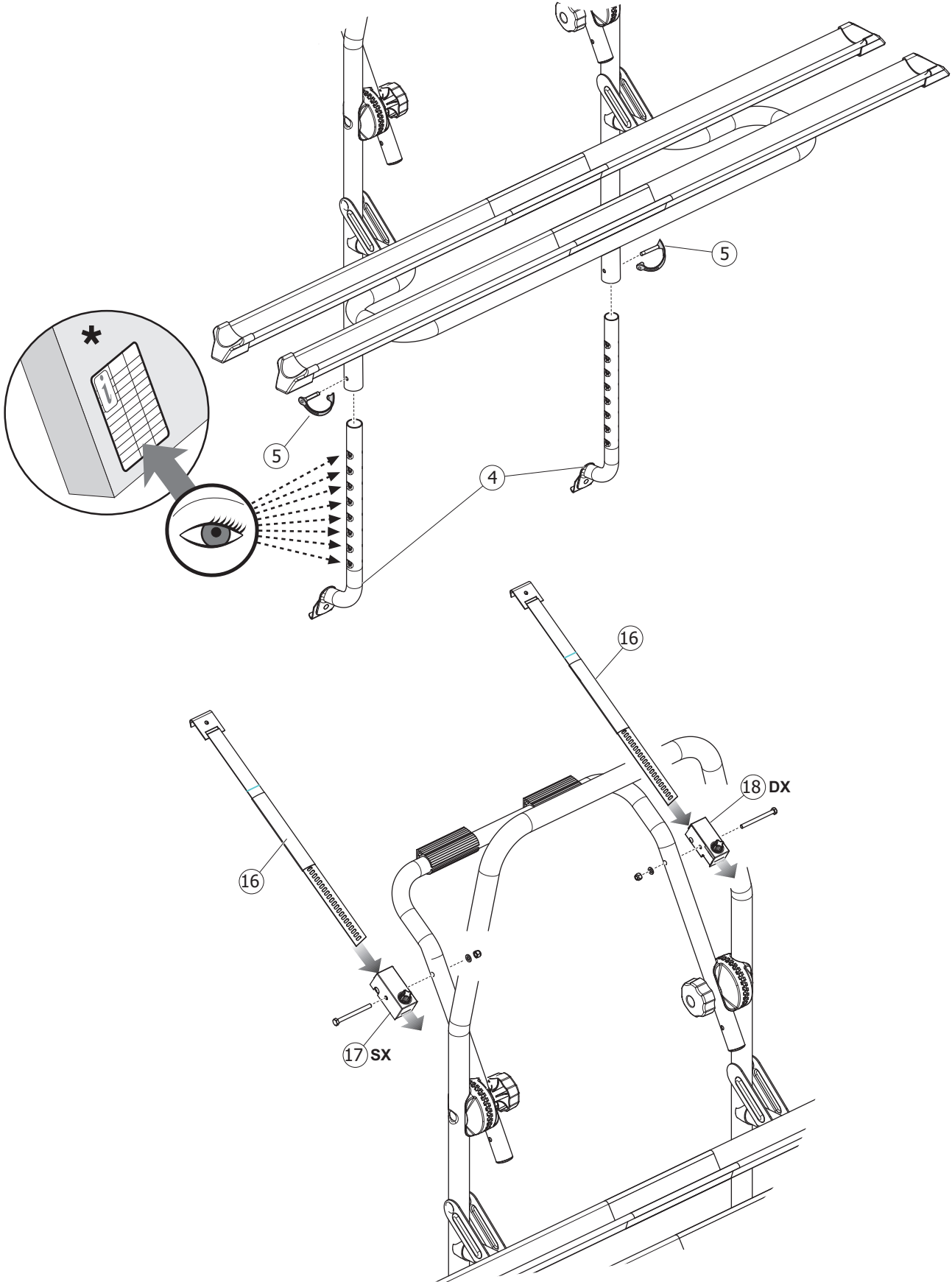
x2  | **x3** 

N.		x2 	x3 
		Q.	Q.
22		2	2
11		4	6
12		1	1
19		1	1





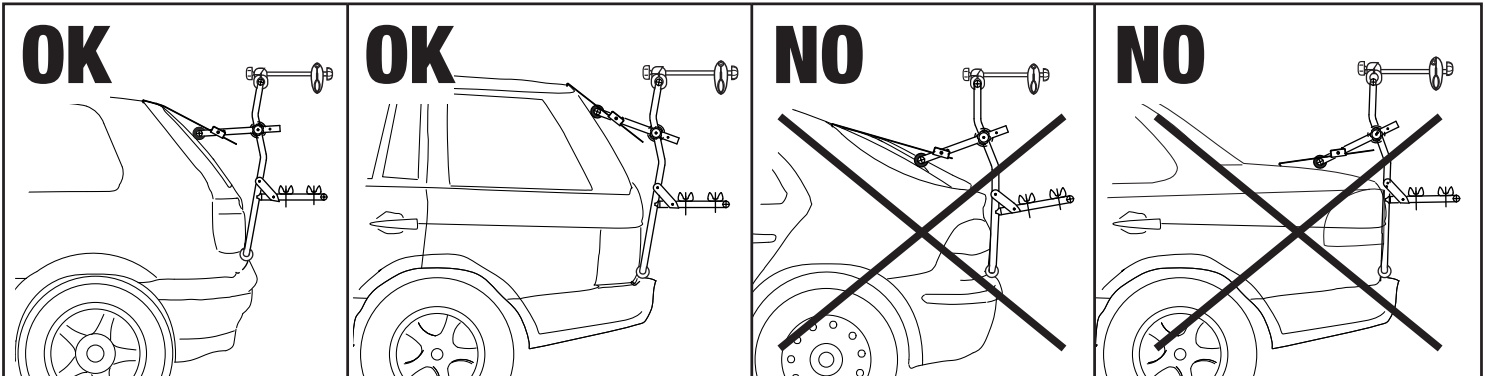
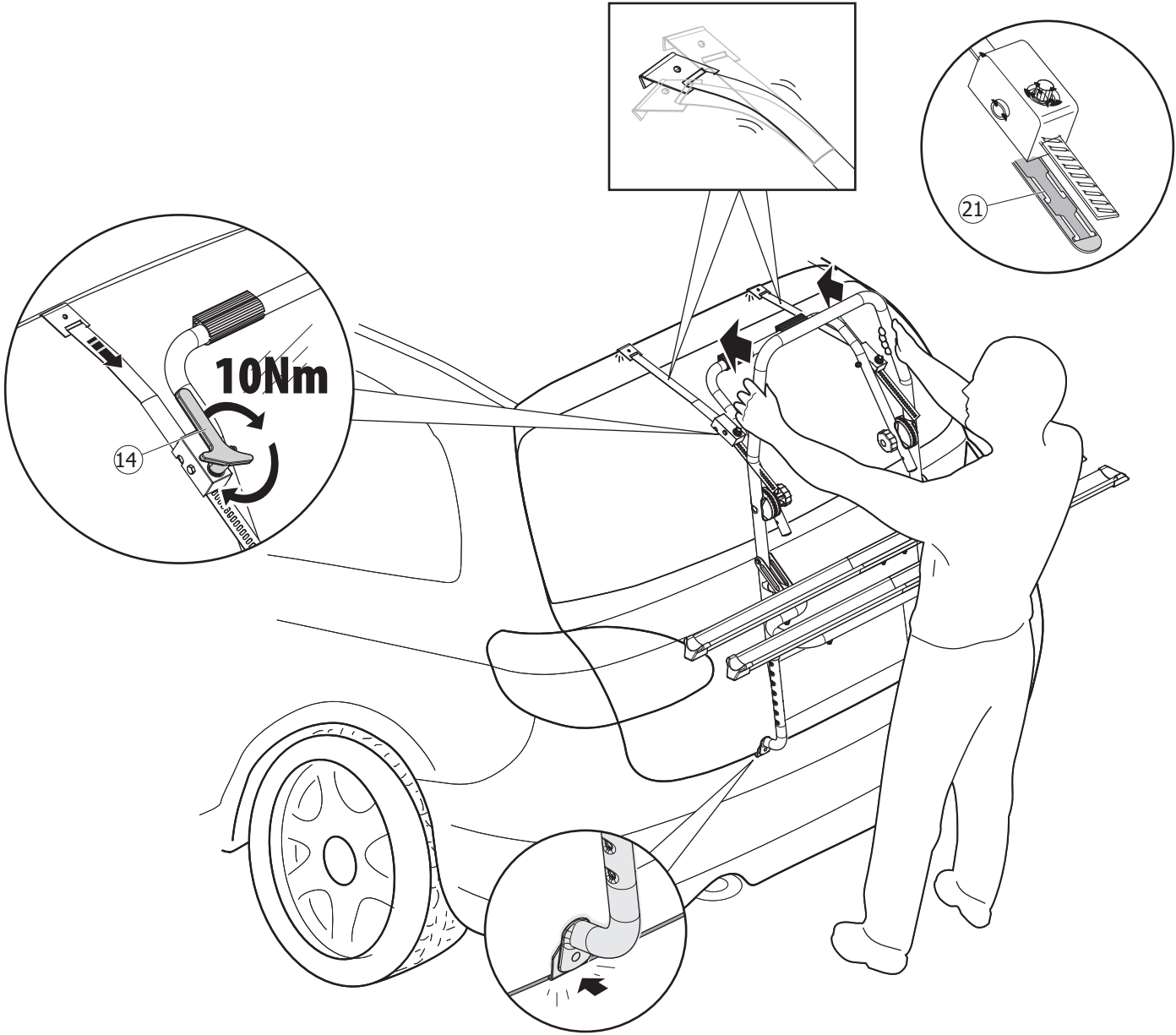
x2  | x3 

N.		Q.
4		2
5		2
16		2
17		1
18		1

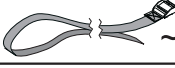



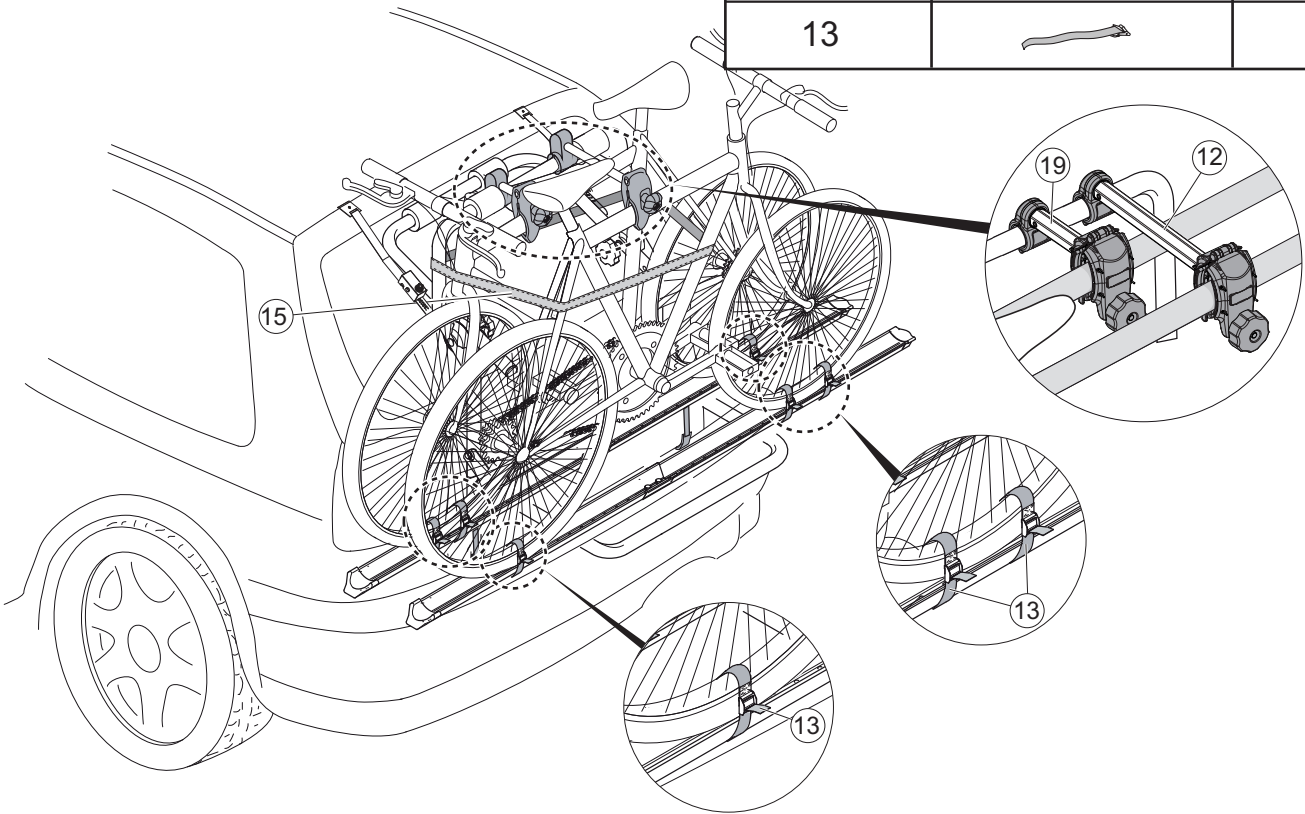
x2  | **x3** 

N.		Q.
14		1
21		2






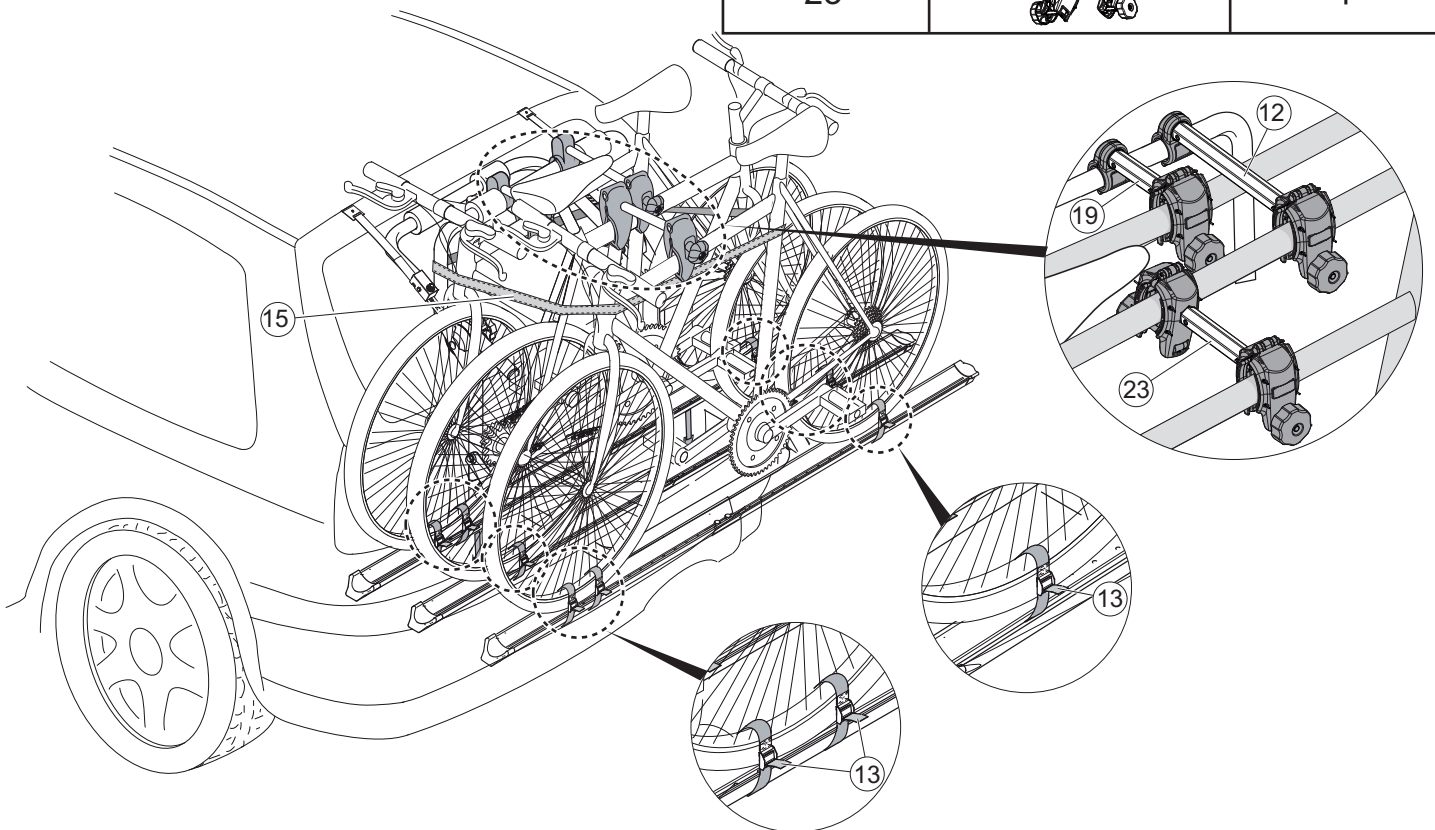
x2 

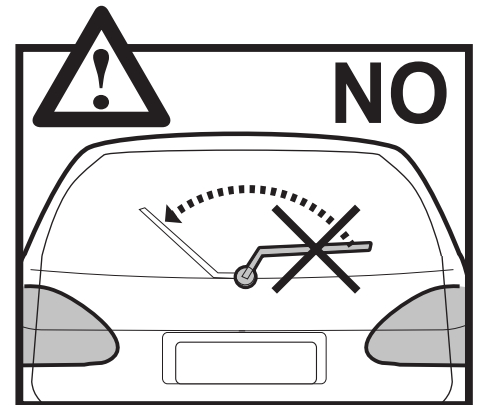
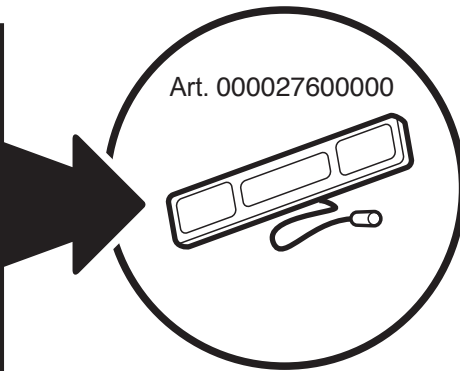
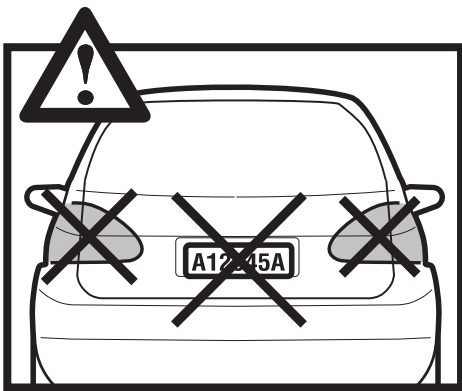
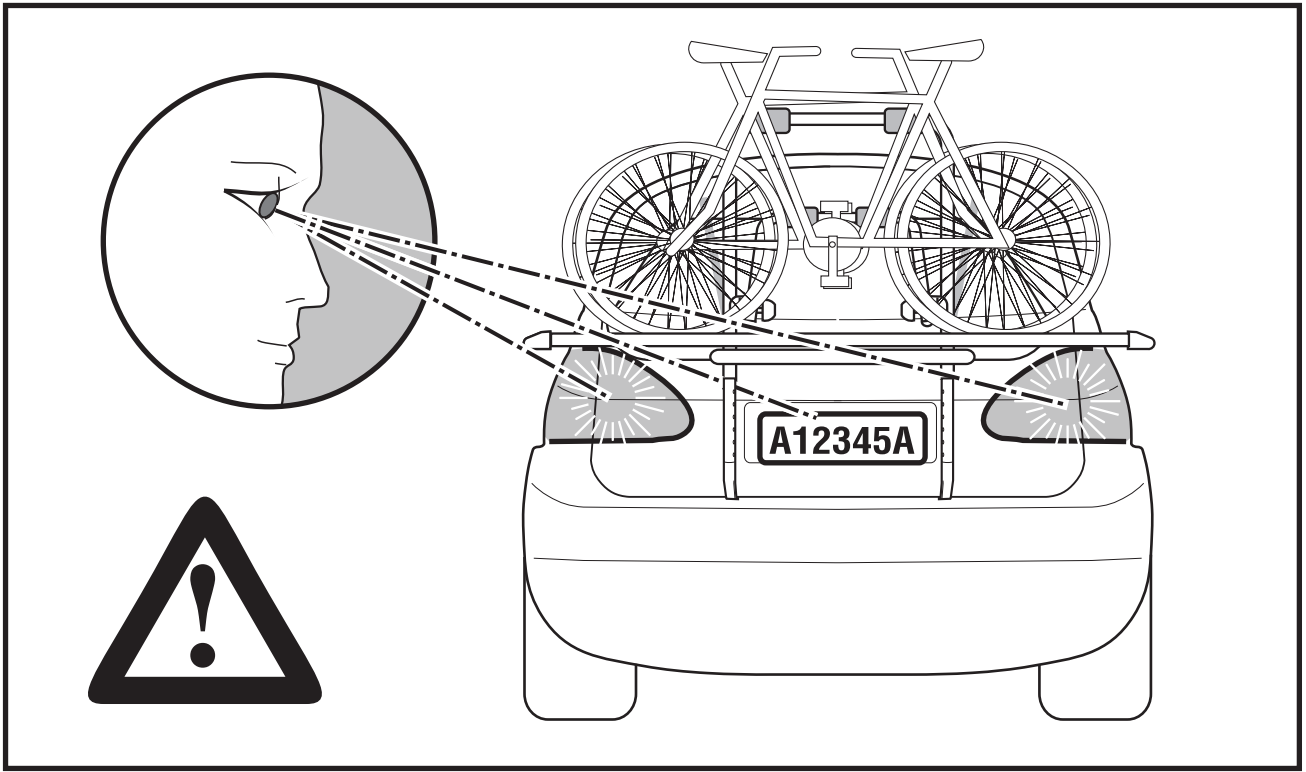
N.		Q.
15	 ~2,5MT	1
13		6



x3 

N.		Q.
15	 ~2,5MT	1
13		9
23		1





A diagram showing a stack of manuals labeled "manufacturer CAR MANUAL" with an eye icon above it. An arrow points from the manuals to a weight limit box. The box contains the following information:

Kg	*
MAX	+
loaded	MAX 15 Kg
	x2
	x3

The weight limit box also includes an icon of a person and a bicycle. Below the box, the following text is provided:

* LOGIC 2 = 11,60 Kg
LOGIC 3 = 13,40 Kg

Cod. Art.	Cod. istr.	Data	Creato da	Approvata da
000037900000 000039200000	100035500002	05/07/2012	EL	AS



Via 8 Marzo, 3 - Z.I. Corte tegge
42025 CAVRIAGO (RE) ITALY
Tel. +39-0522/942840 r.a. - 942798
Fax +39-0522/942948
e-mail: info@flli-menabo.it - <http://www.flli-menabo.it>