



## Thule Rapid System Kit 1030

# > Instructions

NISSAN Almera, 3/4/5-dr, 95-99

NISSAN Pulsar, 3/4/5-dr, 95-00

NISSAN Sentra, 3/4/5-dr, 95-00

NISSAN Sunny, 3/4/5-dr, 95-98

NISSAN Lucino, 3/4/5-dr, 95-00

The diagram is divided into four main sections:

- Top Left:** A dashed box containing an information icon (i), a warning triangle, an illustration of a person reading instructions, and two instruction manuals. Manual 'B' is titled 'Thule Rapid System Kit 1030' and manual 'A' is titled 'Thule Rapid System 754'. An arrow points from manual 'B' to manual 'A'.
- Top Right:** A weight calculation diagram. It shows a weight bag labeled 'xx kg' and 'xx lbs' plus a rack labeled '7 kg' and '15,4 lbs' equals a maximum weight of '50 kg' and '110 lbs'. Below this, it shows two screws labeled '3 kg' and '6,6 lbs'.
- Bottom Left:** A dashed box containing a warning triangle, three instruction manuals (A, B, and a 'Safety' manual), and an illustration of a person reading the manuals.
- Bottom Right:** A diagram of a car with a rack installed on the roof. A speedometer shows a warning triangle at 130 km/h (80 Mph) and 100 km/h (60 Mph). Arrows indicate the rack is positioned between 40 km/h (25 Mph) and 80 km/h (50 Mph).

ISO 11154-E

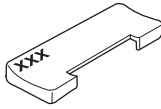
141030

C.20150501  
519-1030-01

Bring your life  
thule.com



16 x4



81 x4



83 x2



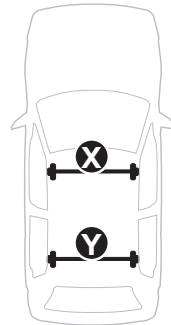
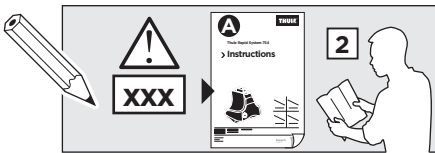
x1



x1

1

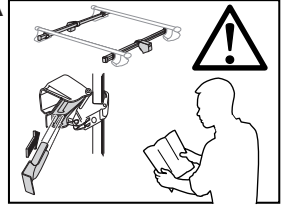
	X (scale)	X (mm)	X (inch)
NISSAN Almera, Pulsar, Sentra, Sunny, Lucion 3-dr	24	891	35 <sup>1</sup> / <sub>8</sub>
NISSAN Almera, Pulsar, Sentra, Sunny, Lucion 4-dr	24	891	35 <sup>1</sup> / <sub>8</sub>
NISSAN Almera, Pulsar, Sentra, Sunny, Lucion 5-dr	24	891	35 <sup>1</sup> / <sub>8</sub>



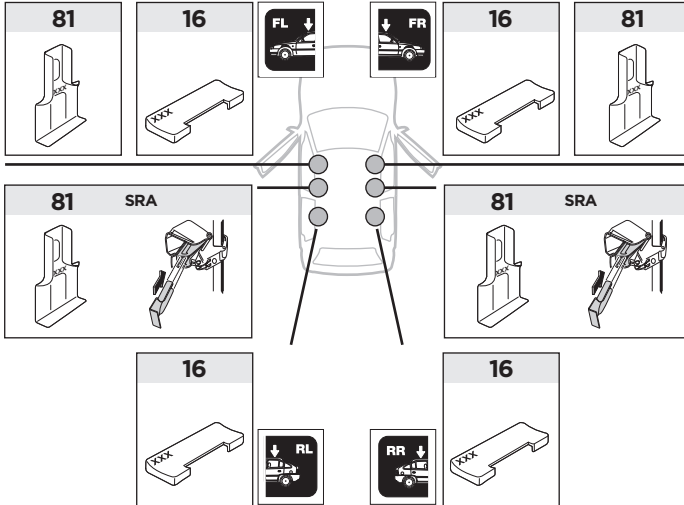
	Y (scale)	Y (mm)	Y (inch)
NISSAN Almera, Pulsar, Sentra, Sunny, Lucion 3-dr	24,5	896	35 <sup>1</sup> / <sub>4</sub>
NISSAN Almera, Pulsar, Sentra, Sunny, Lucion 4-dr	23	881	34 <sup>5</sup> / <sub>8</sub>
NISSAN Almera, Pulsar, Sentra, Sunny, Lucion 5-dr	23,5	886	34 <sup>7</sup> / <sub>8</sub>

2

SRA

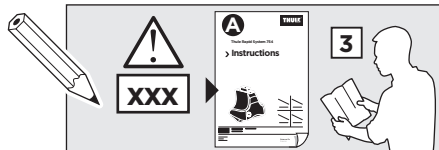
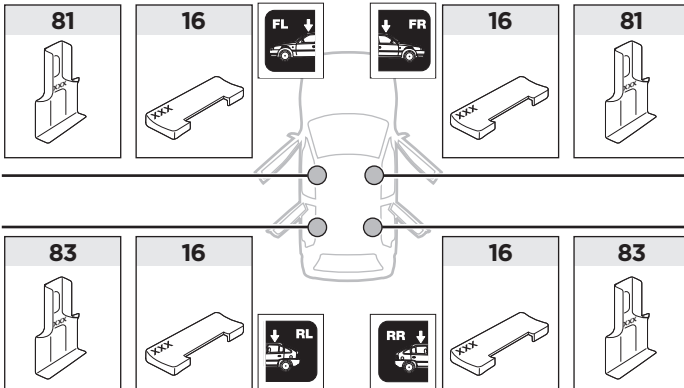


NISSAN Almera, Pulsar, Sentra, Sunny, Lucion 3-dr

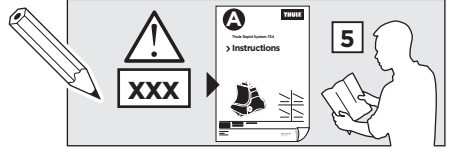


NISSAN Almera, Pulsar, Sentra, Sunny, Lucion 4-dr

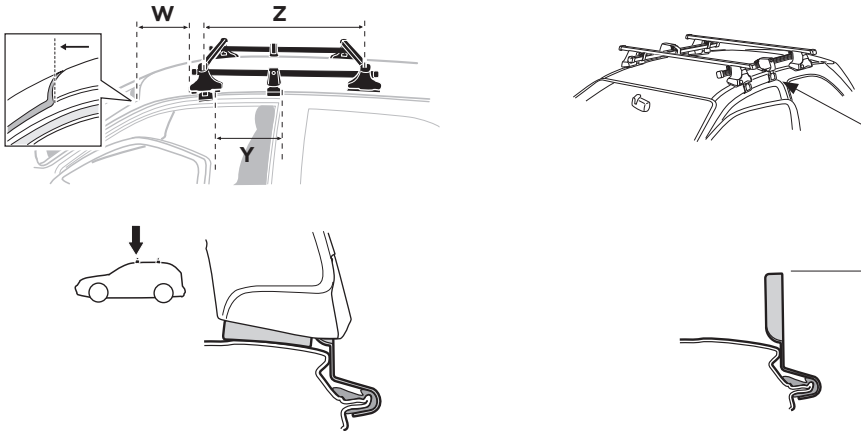
NISSAN Almera, Pulsar, Sentra, Sunny, Lucion 5-dr



**3**



	W (mm)	Z (mm)	Y (mm)	W (inch)	Z (inch)	Y (inch)
<b>NISSAN Almera, Pulsar, Sentra, Sunny, Lucion 3-dr</b>	<b>200</b>	<b>700</b>	<b>260</b>	<b>7 7/8</b>	<b>27 1/2</b>	<b>10 1/4</b>



	W (mm)	Z (mm)	W (inch)	Z (inch)
<b>NISSAN Almera, Pulsar, Sentra, Sunny, Lucion 4-dr</b>	<b>220</b>	<b>650</b>	<b>8 5/8</b>	<b>25 5/8</b>
<b>NISSAN Almera, Pulsar, Sentra, Sunny, Lucion 5-dr</b>	<b>210</b>	<b>680</b>	<b>8 1/4</b>	<b>26 3/4</b>

